

Instructions

High Temperature Strain Gauge Pressure Sensor

PT210HT/PT210HH



| Summary

PT210HT/PT210HH is of all stainless steel structure, and the imported high temperature resistant pressure sensor is selected as the signal measurement sensitive element, The measured medium pressure is transmitted to the sensor through the heat dissipation structure on the transmitter, and the sensor probe can work stably at 200°C for a long time, This product is widely used in the measurement and control of liquid and steam pressure in high temperature field

| Feature

- Accuracy can be 0.25% F.S
- Compact stainless steel housing package
- Protection level IP65
- Multiple E-connection optional
- Heat dissipation structure design, can withstand medium and high temperature

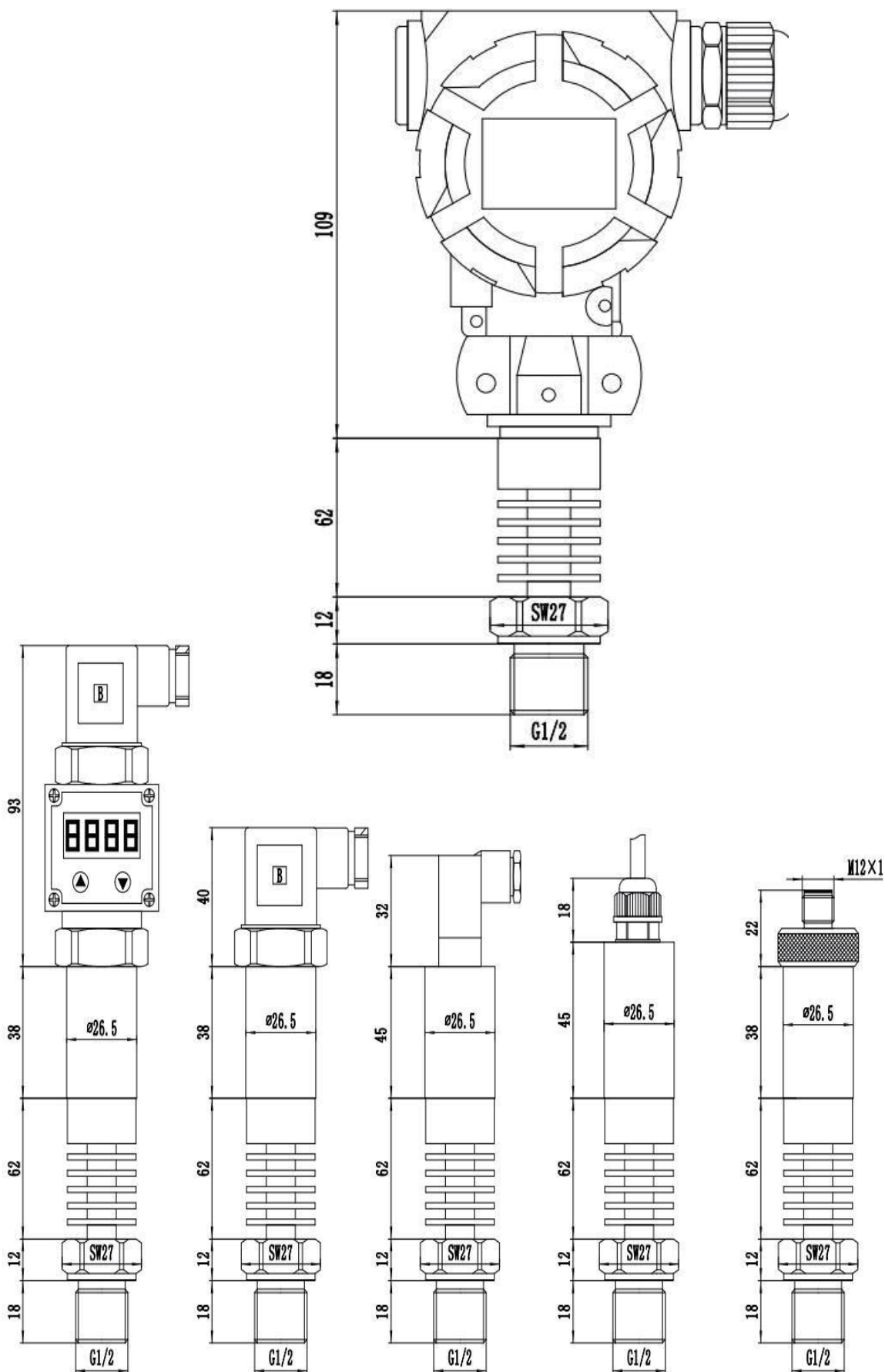
| Application

- Measurement of high temperature fluids such as steam and hot oil
- Measurement and control of boiler industry
- Medical high temperature and high pressure disinfection

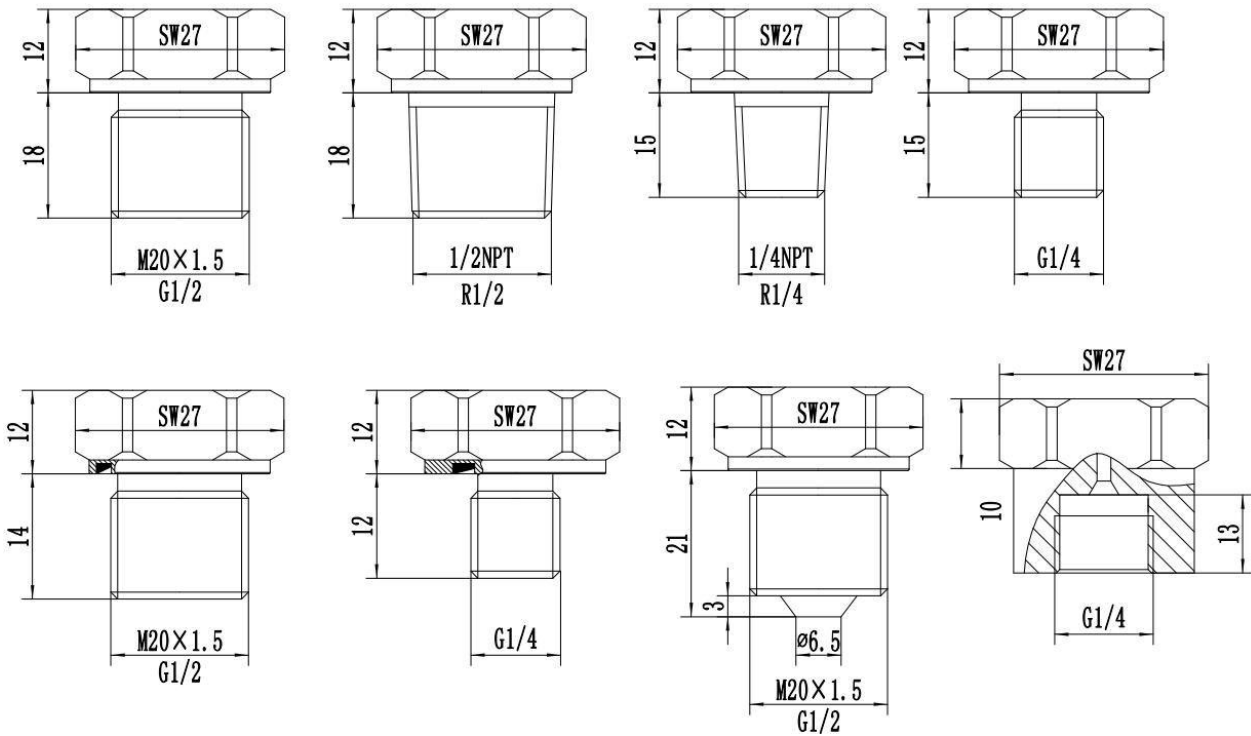
Specification

Pressure range	0~700 bar(0~70MPa)			
Pressure type	Gauge pressure			
Accuracy	0.5% F.S; 0.25% F.S			
Electrical Performance	2-wire	3-wire 0~10V	3-wire	3-wire
Output signal	4~20 mA	0~10V	0~5V	0.5~4.5V
Power supply	6.5~32Vdc	12~32Vdc	10~32Vdc	5Vdc
Overload resistance	<(U-6.5)/0.02	>20k	>20k	>20k
E-connection	M12x 1(4-pin),Hirschmann, PACK connector,water-proof connector			
Process connection	G1/4,G1/2,1/4NPT,1/2NPT,M20x1.5,R1/4,R1/2,G1/4 etc			
Overload pressure	1.5 times rated pressure			
Diaphragm Temp	-20~200℃			
Electrical Temp	-20~80℃			
Protection degree	IP65			
Response time	≤ 10msec			
Long term stability	0.2% FS / year			

Dimension



Process connection



E-connection

Hirschmann DIN 175301-803 A			
		Current	Voltage
	U+	1/red	1/red
	0V		2/black
	S+	2/black	3/green

Hirschmann DIN 175301-803 C			
		Current	Voltage
	U+	1/red	1/red
	0V		2/black
	S+	2/black	3/green

Round connector 4-pin M12 x 1			
		Current	Voltage
	U+	1/brown	1/brown
	0V		4/black
	S+	3/blue	3/blue

Metric-Pack 150 series (3-pin)			
		Current	Voltage
	U+	B/red	B/red
	0V		A/black
	S+	A/black	C/green

Leading wire, Shielded			
		Current	Voltage
	U+	red	red
	0V		black
	S+	black	green

Ordering guide

Series code		X	-	X	-	X	-	X	-	X	-	X	-	X	-	X	-	X	
Product type	Compact housing	PT210HT																	
	2088 housing	PT210HH																	
Pressure unit	bar			B															
	MPa			M															
Pressure range	Pressure range value x					X													
Process connection	G1/4						G1/4												
	1/4NPT						1/4NPT												
	G1/2						G1/2												
	M20 x1.5						M20												
	R1/4						R1/4												
	R1/2						R1/2												
	1/2NPT						1/2NPT												
	G1/4 female						G1/4C												
Output	4~20mA (the output of housing 2088,only choxxse thi5)							MA											
	0~10VDC							10V											
	0~5VDC							5V											
	0.5~4.5VDC							4V											
E-connection	Hirschmann connector (DIN 175301-803 C)								2D										
	Hirschmann connector (DIN 175301-803 A)								1D										
	M12×1 4-pin round connector								T										
	Packard connector								PA										
	water-proof connector leading wire X meters								MX										
	Hirschmann connector with LED								3D										
	2088 housing with LCD display								-										
	2088 housing.no display								NX										
Material	SUS304 (Standard)																		
	SUS316L																		
Sealing way	Standard end face sealing																	-	
	End face sealing with damping																	N	
	Taper sealing																	Z	
Accuracy	0.5%F.S																	-	
	0.25%F.S																	2A	