

202304-A-3K

Shanghai Ziasiot Technology Co., Ltd.

Add: 6th Floor, 18th Building, No.615, Lianying Road, Chedun Town,
Songjiang District, Shanghai

Tel: 021-37635502

Fax: 021-37635507

Web (Ch): <http://www.ziasiot.net/>

Web (En): www.ziasiot.com

Temperature Sensor/Transmitter



**Quality Changes
the Future**

Company Profile

Ziasiot is an experienced manufacture of pressure and temperature sensors, transmitters; Melt pressure transmitters, melt temperature sensors, Internet of Things, laboratory instruments and automation with variety of brands such as Ziasiot, Holeader, EMPS, Wu Hao MC, etc, which could be used in different industrial fields and process control.

The main products developed and produced by our company consist of multiple series, including wireless sensors, flow sensors, linears, pressure sensors, liquid level sensors, high temperature melt pressure sensors , melt pressure gauge, high temperature melt pressure transmitter, temperature sensor, fusion index instrument, pressure calibration system, smart digital instrument, blasting switch, smart home system, smart module, smart body scale, laboratory instrument, Internet of Things, and Automated complete control system. We strive to innovate, advocate environmental protection, adhere to the concept of high quality and integrity, and are committed to developing into a technology manufacturing group enterprise of sensor Internet of things and automated control systems.

Ziasiot is a high-tech enterprise headquartered in Shanghai, members of whom have many years of experience in automation and extrusion industry. With years of professional knowledge, we established an organizational structure oriented by customer demand, and continuously innovated technology and obtained a number of national patents, which makes zias an innovator in the fields of sensors, Internet of things and automation control. In order to emphasize Our commitment to quality and reputation, the R & D and production process of all zias brands ensure to meet and possess RoHS, ISO, CE, CMC, CPA, ex and other certifications.



PRODUCT CATALOG

ZTS product overview, technical features, working principle

03

Temperature sensing / transmitters-suitable for sanitary applications

05

ZTS111、ZTS112、ZTS113 series

Temperature sensors - suitable for industrial/sanitary applications

08

ZTS118 Series

Temperature transmitters - suitable for sanitary applications

09

ZTS121、ZTS122、ZTS123、ZTS125 series

Temperature transmitter / sensor - suitable for sanitary applications

13

ZTS126 Series

Installation accessories, sanitary installation diagram

14

Temperature sensing / transmitter -suitable for industrial applications

16

WRNT/WZPT-100、WRNT/WZPT-191、WRNT/WZPT-202
The WZP / WRN, YF-605, WRNT / WZPT-206, WRNT / WZPT-205 series

M12*1 Aviation joint fitting accessories and installation accessories

25

Industrial type installation schematic diagram, industrial type other matters needing attention

28

PT100 thermal resistance temperature resistance value corresponding table

29

Application industry:

chemical / pharmaceutical / power / energy / municipal / environmental protection
food / paper / ship / metallurgy



Product Summarize

ZTS series thermal resistance temperature sensor/transmitter is currently the most commonly used temperature detector in the low temperature area, our company uses platinum material PT100 / PT1000 as the measuring core, its main characteristics are high accuracy and stable performance, not only widely used in food and pharmaceutical / industrial temperature measurement, but also made into a standard reference instrument. Products are widely used, mainly used in chemical industry, steel, metallurgy, pharmaceutical, food, new energy and so on.

Working Principle

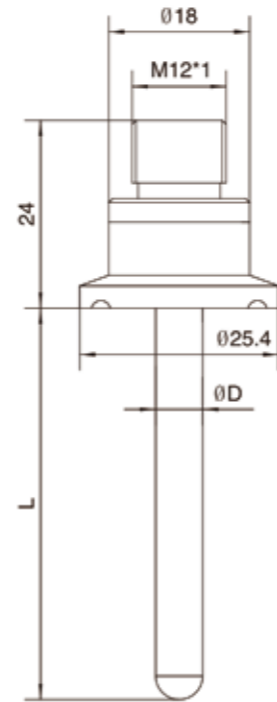
Temperature sensor is the use of temperature and measured between the resistance value of the change into a corresponding relationship. The corresponding temperature value is obtained by measuring the resistance value of the measured element. The temperature transmitter converts the measured resistance value into a 4-20mA current signal, and obtains the corresponding temperature value by measuring the output current signal.

Technical Feature

- Adopt imported temperature sensing element, high precision, good stability
- The structure is simple, easy to install, armored structure is easy to replace
- Good seismic performance
- Large measuring range, high mechanical strength, good pressure resistance



ZTS111 Series



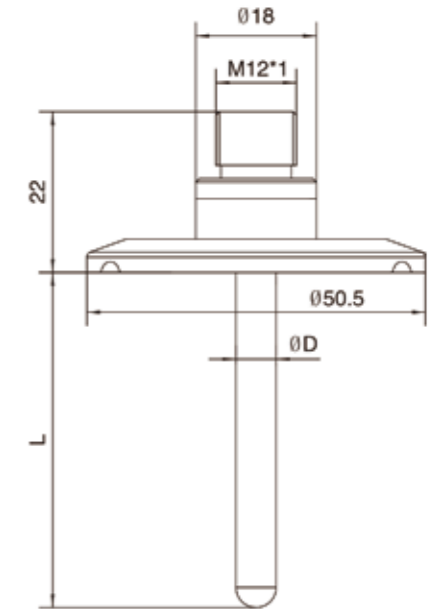
Technical Parameter

| Series | ZTS1110 | ZTS1111 | ZTS1112 |
|----------------------------|---------------------------|-----------|---------|
| Core Type | PT100 | | PT1000 |
| Core Grade | CLASS A | CLASS1/3B | / |
| Temperature Range | -20~150°C | | |
| Signal Output | Three-wire Resistance | | |
| Accuracy | ±(0.15+0.002x[t]) | | |
| Heat Transfer Velocity | 1-3S | | |
| Liquid Connection Material | SUS316L | | |
| Process Connection | 25.4mm Sanitary Chuck | | |
| Rod Diameter | 6mm | | |
| Electrical Connection | M12*1 Aviation Connection | | |
| Compressive Strength | Up to 25bar | | |
| Protection Grade | IP67 | | |

| Order Number | Rod Diameter | Mounting Depth | Order Number | Rod Diameter | Mounting Depth | Order Number | Rod Diameter | Mounting Depth |
|--------------|--------------|----------------|--------------|--------------|----------------|--------------|--------------|----------------|
| ZTS1110602 | 6mm | 25mm | ZTS1111602 | 6mm | 25mm | ZTS1112602 | 6mm | 25mm |
| ZTS1110605 | | 50mm | ZTS1111605 | | 50mm | ZTS1112605 | | 50mm |
| ZTS1110610 | | 100mm | ZTS1111610 | | 100mm | ZTS1112610 | | 100mm |
| ZTS1110615 | | 150mm | ZTS1111615 | | 150mm | ZTS1112615 | | 150mm |

Note: Special specifications require confirmation of order number

ZTS112 Series



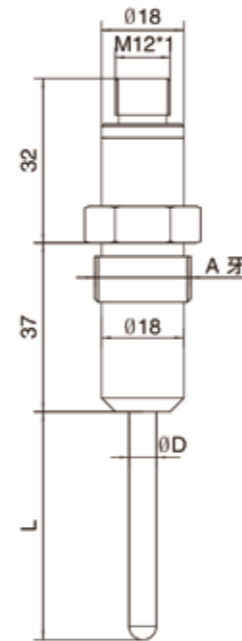
Technical Parameter

| Series | ZTS1120 | ZTS1121 | ZTS1122 |
|----------------------------|---------------------------|-----------|---------|
| Core Type | PT100 | | PT1000 |
| Core Grade | CLASS A | CLASS1/3B | / |
| Temperature Range | -20~150°C | | |
| Signal Output | Three-wire Resistance | | |
| Accuracy | ±(0.15+0.002x[t]) | | |
| Heat Transfer Velocity | 1-3S | | |
| Liquid Connection Material | SUS316L | | |
| Process Connection | 50.5mm Sanitary Chuck | | |
| Rod Diameter | 6mm/8mm | | |
| Electrical Connection | M12*1 Aviation Connection | | |
| Compressive Strength | Up to 25bar | | |
| Protection Grade | IP67 | | |

| Order Number | Rod Diameter | Mounting Depth | Order Number | Rod Diameter | Mounting Depth | Order Number | Rod Diameter | Mounting Depth |
|--------------|--------------|----------------|--------------|--------------|----------------|--------------|--------------|----------------|
| ZTS1120603 | 6mm | 30mm | ZTS1121603 | 6mm | 30mm | ZTS1122603 | 6mm | 30mm |
| ZTS1120605 | | 50mm | ZTS1121605 | | 50mm | ZTS1122605 | | 50mm |
| ZTS1120610 | | 100mm | ZTS1121610 | | 100mm | ZTS1122610 | | 100mm |
| ZTS1120615 | | 150mm | ZTS1121615 | | 150mm | ZTS1122615 | | 150mm |
| ZTS1120805 | 8mm | 50mm | ZTS1121805 | 8mm | 50mm | ZTS1122805 | 8mm | 50mm |
| ZTS1120810 | | 100mm | ZTS1121810 | | 100mm | ZTS1122810 | | 100mm |
| ZTS1120815 | | 150mm | ZTS1121815 | | 150mm | ZTS1122815 | | 150mm |
| ZTS1120820 | | 200mm | ZTS1121820 | | 200mm | ZTS1122820 | | 200mm |

Note: Special specifications require confirmation of order number

ZTS113 Series



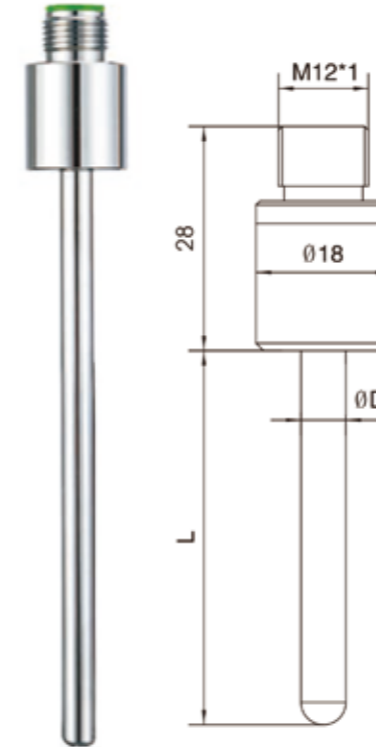
Technical Parameter

| Series | ZTS1130 | ZTS1131 | ZTS1132 |
|----------------------------|--------------------------------|-----------|---------|
| Core Type | PT100 | | PT1000 |
| Core Grade | CLASS A | CLASS1/3B | / |
| Temperature Range | -50~150°C | | |
| Signal Output | Three-wire Resistance | | |
| Accuracy | ±(0.15+0.002x[t]) | | |
| Heat Transfer Velocity | 1-3S | | |
| Liquid Connection Material | SUS316L | | |
| Process Connection | Sanitary Seal with G1/2" Taper | | |
| Rod Diameter | 6mm/8mm | | |
| Electrical Connection | M12*1 Aviation Connection | | |
| Compressive Strength | Up to 40bar | | |
| Protection Grade | IP67 | | |

| Order Number | Rod Diameter | Mounting Depth | Order Number | Rod Diameter | Mounting Depth | Order Number | Rod Diameter | Mounting Depth |
|--------------|--------------|----------------|--------------|--------------|----------------|--------------|--------------|----------------|
| ZTS113000A | / | Flush Mount | ZTS113100A | / | Flush Mount | ZTS113200A | / | Flush Mount |
| ZTS1130603 | 6mm | 30mm | ZTS1131603 | 6mm | 30mm | ZTS1132603 | 6mm | 30mm |
| ZTS1130605 | | 50mm | ZTS1131605 | | 50mm | ZTS1132605 | | 50mm |
| ZTS1130610 | | 100mm | ZTS1131610 | | 100mm | ZTS1132610 | | 100mm |
| ZTS1130615 | | 150mm | ZTS1131615 | | 150mm | ZTS1132615 | | 150mm |
| ZTS1130805 | 8mm | 50mm | ZTS1131805 | 8mm | 50mm | ZTS1132805 | 8mm | 50mm |
| ZTS1130810 | | 100mm | ZTS1131810 | | 100mm | ZTS1132810 | | 100mm |
| ZTS1130815 | | 150mm | ZTS1131815 | | 150mm | ZTS1132815 | | 150mm |
| ZTS1130820 | | 200mm | ZTS1131820 | | 200mm | ZTS1132820 | | 200mm |

Note: Special specifications require confirmation of order number

ZTS118 Series



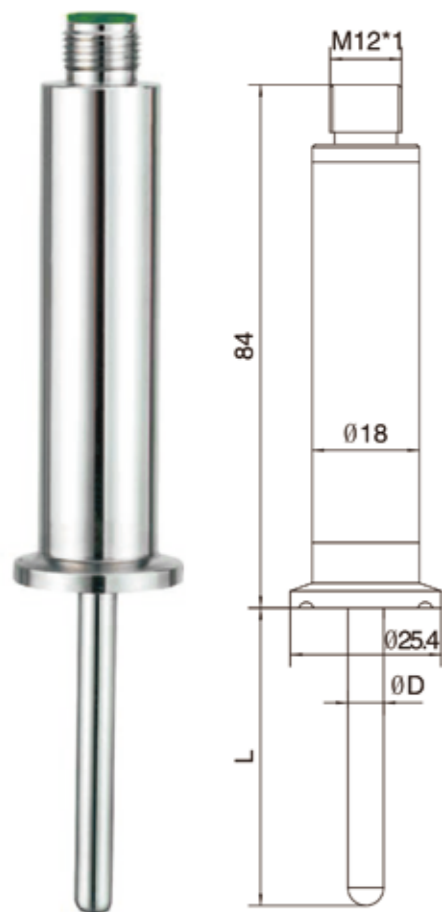
Technical Parameter

| Series | ZTS1180 | ZTS1181 | ZTS1182 |
|----------------------------|---------------------------|-----------|---------|
| Core Type | PT100 | | PT1000 |
| Core Grade | CLASS A | CLASS1/3B | / |
| Temperature Range | -50~150°C | | |
| Signal Output | Three-wire Resistance | | |
| Accuracy | ±(0.15+0.002x[t]) | | |
| Heat Transfer Velocity | 1-3S | | |
| Liquid Connection Material | SUS316L | | |
| Process Connection | None (Matching Adapter) | | |
| Rod Diameter | 6mm/8mm/10mm | | |
| Electrical Connection | M12*1 Aviation Connection | | |
| Compressive Strength | Up to 25bar | | |
| Protection Grade | IP67 | | |

| Order Number | Rod Diameter | Mounting Depth | Order Number | Rod Diameter | Mounting Depth | Order Number | Rod Diameter | Mounting Depth |
|--------------|--------------|----------------|--------------|--------------|----------------|--------------|--------------|----------------|
| ZTS1180605 | 6mm | 50mm | ZTS1181605 | 6mm | 50mm | ZTS1182605 | 6mm | 50mm |
| ZTS1180610 | | 100mm | ZTS1181610 | | 100mm | ZTS1182610 | | 100mm |
| ZTS1180615 | | 150mm | ZTS1181615 | | 150mm | ZTS1182615 | | 150mm |
| ZTS1180620 | | 200mm | ZTS1181620 | | 200mm | ZTS1182620 | | 200mm |
| ZTS1180625 | | 250mm | ZTS1181625 | | 250mm | ZTS1182625 | | 250mm |
| ZTS1180630 | | 300mm | ZTS1181630 | | 300mm | ZTS1182630 | | 300mm |
| ZTS1180805 | 8mm | 50mm | ZTS1181805 | 8mm | 50mm | ZTS1182805 | 8mm | 50mm |
| ZTS1180810 | | 100mm | ZTS1181810 | | 100mm | ZTS1182810 | | 100mm |
| ZTS1180815 | | 150mm | ZTS1181815 | | 150mm | ZTS1182815 | | 150mm |
| ZTS1180820 | | 200mm | ZTS1181820 | | 200mm | ZTS1182820 | | 200mm |
| ZTS1180830 | | 300mm | ZTS1181830 | | 300mm | ZTS1182830 | | 300mm |
| ZTS1180840 | | 400mm | ZTS1181840 | | 400mm | ZTS1182840 | | 400mm |
| ZTS1180115 | 10mm | 150mm | ZTS118115 | 10mm | 150mm | ZTS1182115 | 10mm | 150mm |
| ZTS1180125 | | 250mm | ZTS1181125 | | 250mm | ZTS1182125 | | 250mm |
| ZTS1180135 | | 350mm | ZTS1181135 | | 350mm | ZTS1182135 | | 350mm |
| ZTS1180145 | | 450mm | ZTS1181145 | | 450mm | ZTS1182145 | | 450mm |
| ZTS1180155 | | 550mm | ZTS1181155 | | 550mm | ZTS1182155 | | 550mm |

Note: Special specifications require confirmation of order number

ZTS121 Series



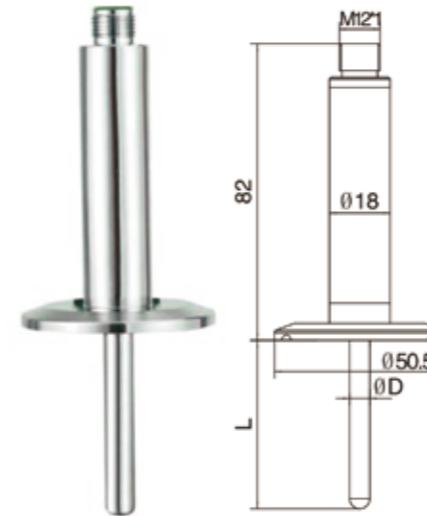
Technical Parameter

| Series | ZTS1210 | ZTS1211 |
|----------------------------|---------------------------|----------------|
| Core Type | PT100 | |
| Core Grade | CLASS A | CLASS1/3B |
| Temperature Range | -50~150°C | |
| Power Supply | 24VDC | |
| Signal Output | 4-20mA two-wire | |
| Accuracy | ±0.3+(±0.1%Ms) | ±0.2+(±0.1%Ms) |
| Heat Transfer Velocity | 1-3S | |
| Liquid Connection Material | SUS316L | |
| Process Connection | 25.4mm Sanitary Chuck | |
| Rod Diameter | 6mm | |
| Electrical Connection | M12*1 Aviation Connection | |
| Compressive Strength | Up to 25bar | |
| Protection Grade | IP67 | |

| Order Number | Rod Diameter | Mounting Depth | FactoryRange°C | Order Number | Rod Diameter | Mounting Depth | FactoryRange°C |
|--------------|--------------|----------------|----------------|--------------|--------------|----------------|----------------|
| ZTS1210602A | 6mm | 25mm | 0-200 | ZTS1211602A | 6mm | 25mm | 0-200 |
| ZTS1210605A | | 50mm | | ZTS1211605A | | 50mm | |
| ZTS1210610A | | 100mm | | ZTS1211610A | | 100mm | |
| ZTS1210615A | | 150mm | | ZTS1211615A | | 150mm | |
| ZTS1210602B | 6mm | 25mm | 0-100 | ZTS1211602B | 6mm | 25mm | 0-100 |
| ZTS1210605B | | 50mm | | ZTS1211605B | | 50mm | |
| ZTS1210610B | | 100mm | | ZTS1211610B | | 100mm | |
| ZTS1210615B | | 150mm | | ZTS1211615B | | 150mm | |
| ZTS1210602C | 6mm | 25mm | -10-150 | ZTS1211602C | 6mm | 25mm | -10-150 |
| ZTS1210605C | | 50mm | | ZTS1211605C | | 50mm | |
| ZTS1210610C | | 100mm | | ZTS1211610C | | 100mm | |
| ZTS1210615C | | 150mm | | ZTS1211615C | | 150mm | |

Note: Special specifications require confirmation of order number

ZTS122 Series



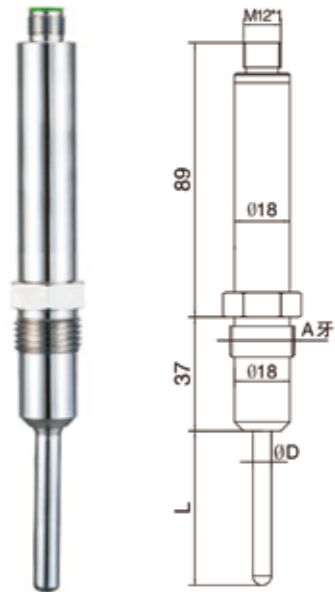
Technical Parameter

| Series | ZTS1220 | ZTS1221 |
|----------------------------|---------------------------|----------------|
| Core Type | PT100 | |
| Core Grade | CLASS A | CLASS1/3B |
| Temperature Range | -50~150°C | |
| Power Supply | 24VDC | |
| Signal Output | 4-20mA two-wire | |
| Accuracy | ±0.3+(±0.1%Ms) | ±0.2+(±0.1%Ms) |
| Heat Transfer Velocity | 1-3S | |
| Liquid Connection Material | SUS316L | |
| Process Connection | 50.5mm Sanitary Chuck | |
| Rod Diameter | 6mm/8mm | |
| Electrical Connection | M12*1 Aviation Connection | |
| Compressive Strength | Up to 25bar | |
| Protection Grade | IP67 | |

| Order Number | Rod Diameter | Mounting Depth | FactoryRange°C | Order Number | Rod Diameter | Mounting Depth | FactoryRange°C |
|--------------|--------------|----------------|----------------|--------------|--------------|----------------|----------------|
| ZTS1220603A | 6mm | 30mm | 0-200 | ZTS1221603A | 6mm | 30mm | 0-200 |
| ZTS1220605A | | 50mm | | ZTS1221605A | | 50mm | |
| ZTS1220610A | | 100mm | | ZTS1221610A | | 100mm | |
| ZTS1220615A | | 150mm | | ZTS1221615A | | 150mm | |
| ZTS1220805A | 8mm | 50mm | 0-200 | ZTS1221805A | 8mm | 50mm | 0-200 |
| ZTS1220810A | | 100mm | | ZTS1221810A | | 100mm | |
| ZTS1220815A | | 150mm | | ZTS1221815A | | 150mm | |
| ZTS1220820A | | 200mm | | ZTS1221820A | | 200mm | |
| ZTS1220603B | 6mm | 30mm | 0-100 | ZTS1221603B | 6mm | 30mm | 0-100 |
| ZTS1220605B | | 50mm | | ZTS1221605B | | 50mm | |
| ZTS1220610B | | 100mm | | ZTS1221610B | | 100mm | |
| ZTS1220615B | | 150mm | | ZTS1221615B | | 150mm | |
| ZTS1220805B | 8mm | 50mm | 0-100 | ZTS1221805B | 8mm | 50mm | 0-100 |
| ZTS1220810B | | 100mm | | ZTS1221810B | | 100mm | |
| ZTS1220815B | | 150mm | | ZTS1221815B | | 150mm | |
| ZTS1220820B | | 200mm | | ZTS1221820B | | 200mm | |
| ZTS1220603C | 6mm | 30mm | -10-150 | ZTS1221603C | 6mm | 30mm | -10-150 |
| ZTS1220605C | | 50mm | | ZTS1221605C | | 50mm | |
| ZTS1220610C | | 100mm | | ZTS1221610C | | 100mm | |
| ZTS1220615C | | 150mm | | ZTS1221615C | | 150mm | |
| ZTS1220805C | 8mm | 50mm | -10-150 | ZTS1221805C | 8mm | 50mm | -10-150 |
| ZTS1220810C | | 100mm | | ZTS1221810C | | 100mm | |
| ZTS1220815C | | 150mm | | ZTS1221815C | | 150mm | |
| ZTS1220820C | | 200mm | | ZTS1221820C | | 200mm | |

Note: Special specifications require confirmation of order number

ZTS123 Series



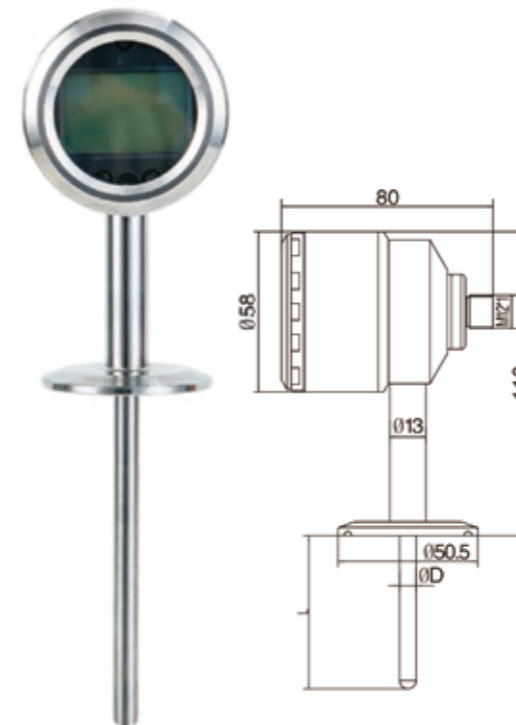
Technical Parameter

| Series | ZTS1230 | ZTS1231 |
|----------------------------|---------------------------------|----------------|
| Core Type | PT100 | |
| Core Grade | CLASS A | CLASS1/3B |
| Temperature Range | -50~150°C | |
| Power Supply | 24VDC | |
| Signal Output | 4-20mA two-wire | |
| Accuracy | ±0.3+(±0.1%Ms) | ±0.2+(±0.1%Ms) |
| Heat Transfer Velocity | 1-3S | |
| Liquid Connection Material | SUS316L | |
| Process Connection | Sanitary Seal with G1/2 " Taper | |
| Rod Diameter | 6mm/8mm | |
| Electrical Connection | M12*1 Aviation Connection | |
| Compressive Strength | Up to 40bar | |
| Protection Grade | IP67 | |

| Order Number | Rod Diameter | Mounting Depth | FactoryRange °C | Order Number | Rod Diameter | Mounting Depth | FactoryRange °C |
|--------------|--------------|----------------|-----------------|--------------|--------------|----------------|-----------------|
| ZTS123000AA | / | Flush Mount | 0-200 | ZTS123100AA | / | Flush Mount | 0-200 |
| ZTS1230603A | 6mm | 30mm | | ZTS1231603A | 6mm | 30mm | |
| ZTS1230605A | | 50mm | | ZTS1231605A | | 50mm | |
| ZTS1230610A | | 100mm | | ZTS1231610A | | 100mm | |
| ZTS1230615A | | 150mm | | ZTS1231615A | | 150mm | |
| ZTS1230805A | 8mm | 50mm | | ZTS1231805A | 8mm | 50mm | |
| ZTS1230810A | | 100mm | | ZTS1231810A | | 100mm | |
| ZTS1230815A | | 150mm | | ZTS1231815A | | 150mm | |
| ZTS1230820A | | 200mm | | ZTS1231820A | | 200mm | |
| ZTS123000AB | / | Flush Mount | | 0-100 | ZTS123100AB | / | |
| ZTS1230603B | 6mm | 30mm | ZTS1231603B | | 6mm | 30mm | |
| ZTS1230605B | | 50mm | ZTS1231605B | | | 50mm | |
| ZTS1230610B | | 100mm | ZTS1231610B | | | 100mm | |
| ZTS1230615B | | 150mm | ZTS1231615B | | | 150mm | |
| ZTS1230805B | 8mm | 50mm | ZTS1231805B | | 8mm | 50mm | |
| ZTS1230810B | | 100mm | ZTS1231810B | | | 100mm | |
| ZTS1230815B | | 150mm | ZTS1231815B | | | 150mm | |
| ZTS1230820B | | 200mm | ZTS1231820B | | | 200mm | |
| ZTS123000AC | / | Flush Mount | -10-150 | | ZTS123100AC | / | Flush Mount |
| ZTS1230603C | 6mm | 30mm | | ZTS1231603C | 6mm | 30mm | |
| ZTS1230605C | | 50mm | | ZTS1231605C | | 50mm | |
| ZTS1230610C | | 100mm | | ZTS1231610C | | 100mm | |
| ZTS1230615C | | 150mm | | ZTS1231615C | | 150mm | |
| ZTS1230805C | 8mm | 50mm | | ZTS1231805C | 8mm | 50mm | |
| ZTS1230810C | | 100mm | | ZTS1231810C | | 100mm | |
| ZTS1230815C | | 150mm | | ZTS1231815C | | 150mm | |
| ZTS1230820C | | 200mm | | ZTS1231820C | | 200mm | |

Note: Special specifications require confirmation of order number

ZTS125 Series



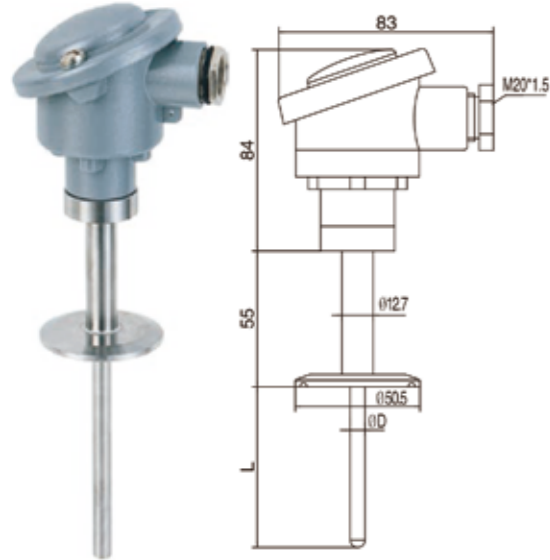
Technical Parameter

| Series | ZTS1250 | ZTS1251 |
|----------------------------|---|----------------|
| Core Type | PT100 | |
| Core Grade | CLASS A | CLASS1/3B |
| Temperature Range | -20~250°C | |
| Power Supply | 24VDC | |
| Signal Output | 4-20mA two-wire LCD Display (optional 485/HART) | |
| Accuracy | ±0.3+(±0.1%Ms) | ±0.2+(±0.1%Ms) |
| Heat Transfer Velocity | 1-3S | |
| Liquid Connection Material | SUS316L | |
| Process Connection | 50.5mm Sanitary Chuck/Seal with G1/2 " Taper | |
| Rod Diameter | 6mm/8mm | |
| Electrical Connection | M12*1 Aviation Connection | |
| Compressive Strength | Up to 40bar | |
| Protection Grade | IP67 | |

| Order Number | Rod Diameter | Mounting Depth | Mounting Depth | Order Number | Rod Diameter | Mounting Depth | Mounting Depth |
|--------------|--------------|----------------|----------------|--------------|--------------|-----------------|----------------|
| ZTS1250A605 | 6mm | 50.5mm Clamp | 50mm | ZTS1250B605 | 6mm | G1/2" Seal Cone | 50mm |
| ZTS1250A610 | | | 100mm | ZTS1250B610 | | | 100mm |
| ZTS1250A615 | | | 150mm | ZTS1250B615 | | | 150mm |
| ZTS1250A805 | 8mm | 50.5mm Clamp | 50mm | ZTS1250B805 | 8mm | G1/2" Seal Cone | 50mm |
| ZTS1250A810 | | | 100mm | ZTS1250B810 | | | 100mm |
| ZTS1250A815 | | | 150mm | ZTS1250B815 | | | 150mm |
| ZTS1250A820 | | | 200mm | ZTS1250B820 | | | 200mm |
| ZTS1250A825 | | | 250mm | ZTS1250B825 | | | 250mm |
| ZTS1250A830 | | | 300mm | ZTS1250B830 | | | 300mm |
| ZTS1251A605 | 6mm | 50.5mm Clamp | 50mm | ZTS1251B605 | 6mm | G1/2" Seal Cone | 50mm |
| ZTS1251A610 | | | 100mm | ZTS1251B610 | | | 100mm |
| ZTS1251A615 | | | 150mm | ZTS1251B615 | | | 150mm |
| ZTS1251A805 | 8mm | 50.5mm Clamp | 50mm | ZTS1251B805 | 8mm | G1/2" Seal Cone | 50mm |
| ZTS1251A810 | | | 100mm | ZTS1251B810 | | | 100mm |
| ZTS1251A815 | | | 150mm | ZTS1251B815 | | | 150mm |
| ZTS1251A820 | | | 200mm | ZTS1251B820 | | | 200mm |
| ZTS1251A825 | | | 250mm | ZTS1251B825 | | | 250mm |
| ZTS1251A830 | | | 300mm | ZTS1251B830 | | | 300mm |

Note: Special specifications require confirmation of order number

ZTS126 Series



Technical Parameter

| Series | ZTS1250 | ZTS1251 |
|----------------------------|---|-------------------------------------|
| Core Type | PT100 | |
| Core Grade | CLASS A | CLASS1/3B |
| Temperature Range | -50~300°C | |
| Power Supply | / | 24VDC |
| Signal Output | Three-wire Resistance | 4-20mA two-wire (optional 485/HART) |
| Accuracy | ±0.3+(±0.1%Ms) | ±0.2+(±0.1%Ms) |
| Heat Transfer Velocity | 1-3S | |
| Liquid Connection Material | SUS316L | |
| Process Connection | 50.5mm Sanitary Chuck/Seal with G1/2" Taper | |
| Rod Diameter | 6mm/8mm | |
| Electrical Connection | M12*1 Aviation Connection | |
| Compressive Strength | Up to 40bar | |
| Protection Grade | IP67 | |

| Order Number | Rod Diameter | Process Connection | Insertion Depth | Order Number | Rod Diameter | Process Connection | Insertion Depth |
|---------------|--------------|--------------------|-----------------|---------------|--------------|--------------------|-----------------|
| ZTS1260A605-□ | 6mm | 50.5mmKP | 50mm | ZTS1260B605-□ | 6mm | G1/2" Sealing Cone | 50mm |
| ZTS1260A610-□ | | | 100mm | ZTS1260B610-□ | | | 100mm |
| ZTS1260A615-□ | | | 150mm | ZTS1260B615-□ | | | 150mm |
| ZTS1260A805-□ | 8mm | | 50mm | ZTS1260B805-□ | 8mm | | 50mm |
| ZTS1260A810-□ | | | 100mm | ZTS1260B810-□ | | | 100mm |
| ZTS1260A815-□ | | | 150mm | ZTS1260B815-□ | | | 150mm |
| ZTS1260A820-□ | | | 200mm | ZTS1260B820-□ | | | 200mm |
| ZTS1260A825-□ | | | 250mm | ZTS1260B825-□ | | | 250mm |
| ZTS1260A830-□ | | | 300mm | ZTS1260B830-□ | | | 300mm |
| ZTS1261A605-□ | 6mm | | 50mm | ZTS1261B605-□ | 6mm | | 50mm |
| ZTS1261A610-□ | | | 100mm | ZTS1261B610-□ | | | 100mm |
| ZTS1261A615-□ | | | 150mm | ZTS1261B615-□ | | | 150mm |
| ZTS1261A805-□ | 8mm | | 50mm | ZTS1261B805-□ | 8mm | | 50mm |
| ZTS1261A810-□ | | | 100mm | ZTS1261B810-□ | | | 100mm |
| ZTS1261A815-□ | | | 150mm | ZTS1261B815-□ | | | 150mm |
| ZTS1261A820-□ | | | 200mm | ZTS1261B820-□ | | | 200mm |
| ZTS1261A825-□ | | | 250mm | ZTS1261B825-□ | | | 250mm |
| ZTS1261A830-□ | | | 300mm | ZTS1261B830-□ | | | 300mm |

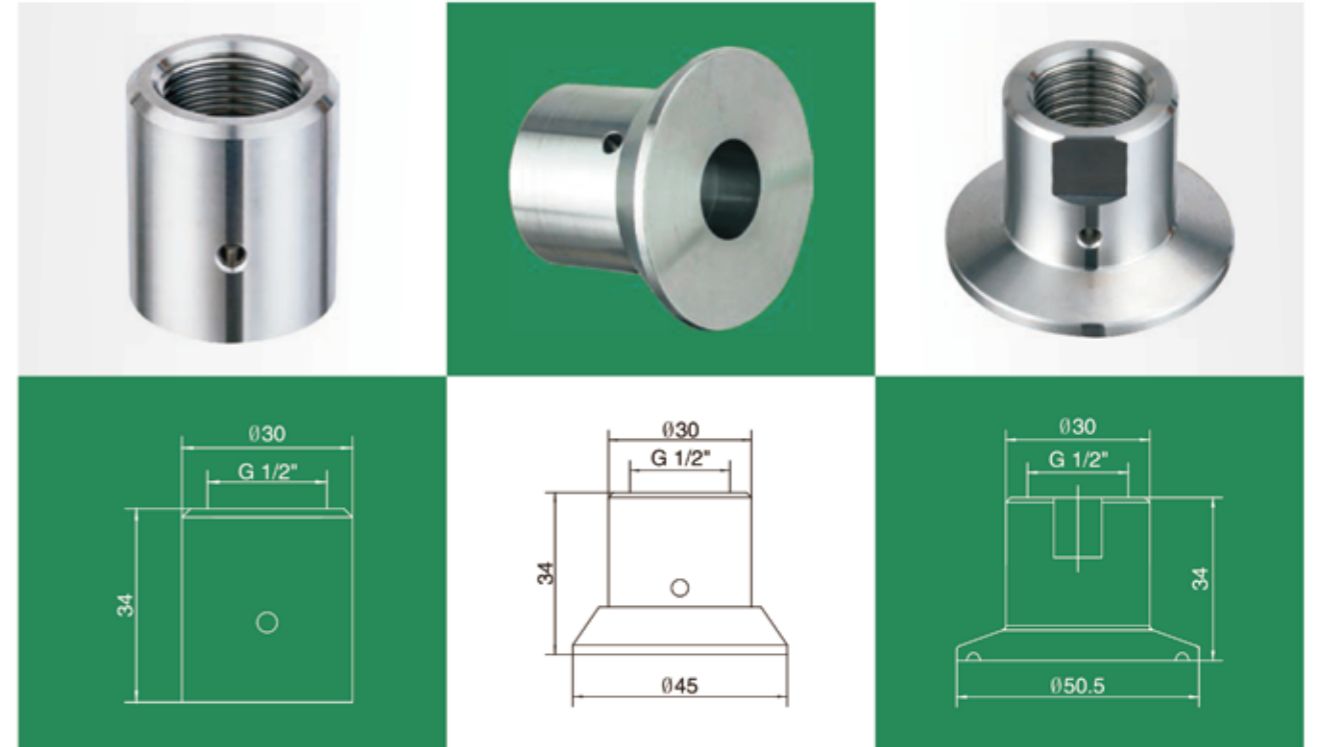
Note * Code for signal output:

- Blank: three-wire resistance signal
- A: 4-20mA two-wire
- B: 4-20mA two-wire HART

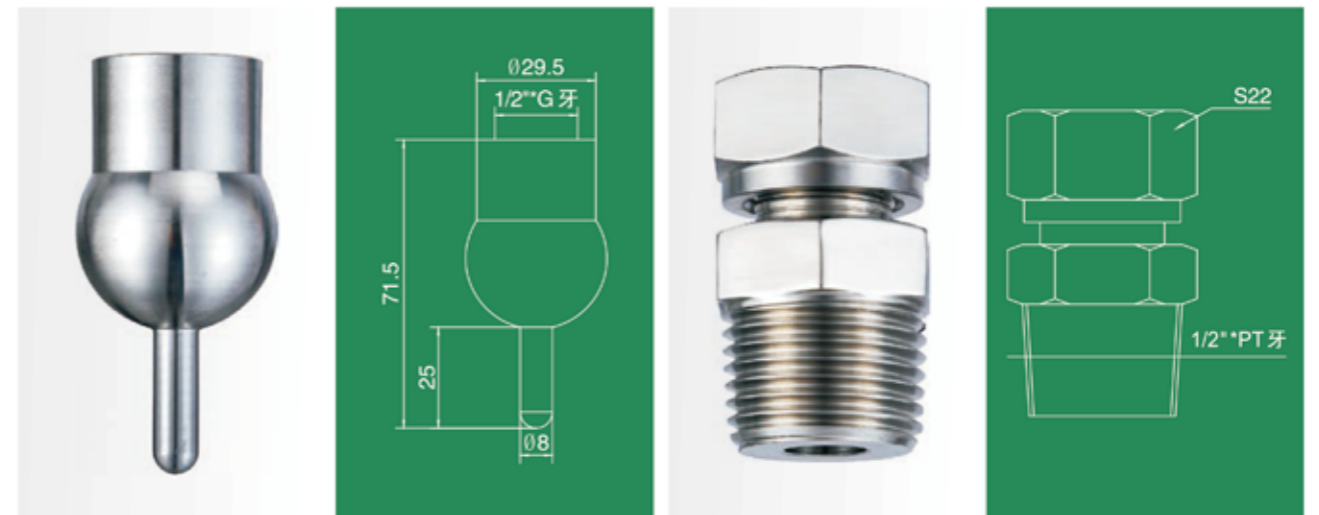
Example: ZTS1260A605 (Temperature sensor 126 series, CLASS A core, 50.5mm outside diameter sanitary chuck, 6mm rod diameter, insert 50mm, standard three-wire resistance signal output) ZTS1260A605-A(Temperature transmitter 126 series, CLASS A core, 50.5mm OD sanitary chuck, 6mm rod diameter, insert 50mm, 4-20mA two-wire current signal output, power supply 24VDC)

Note: Special specifications require confirmation of order number

Installation Accessories



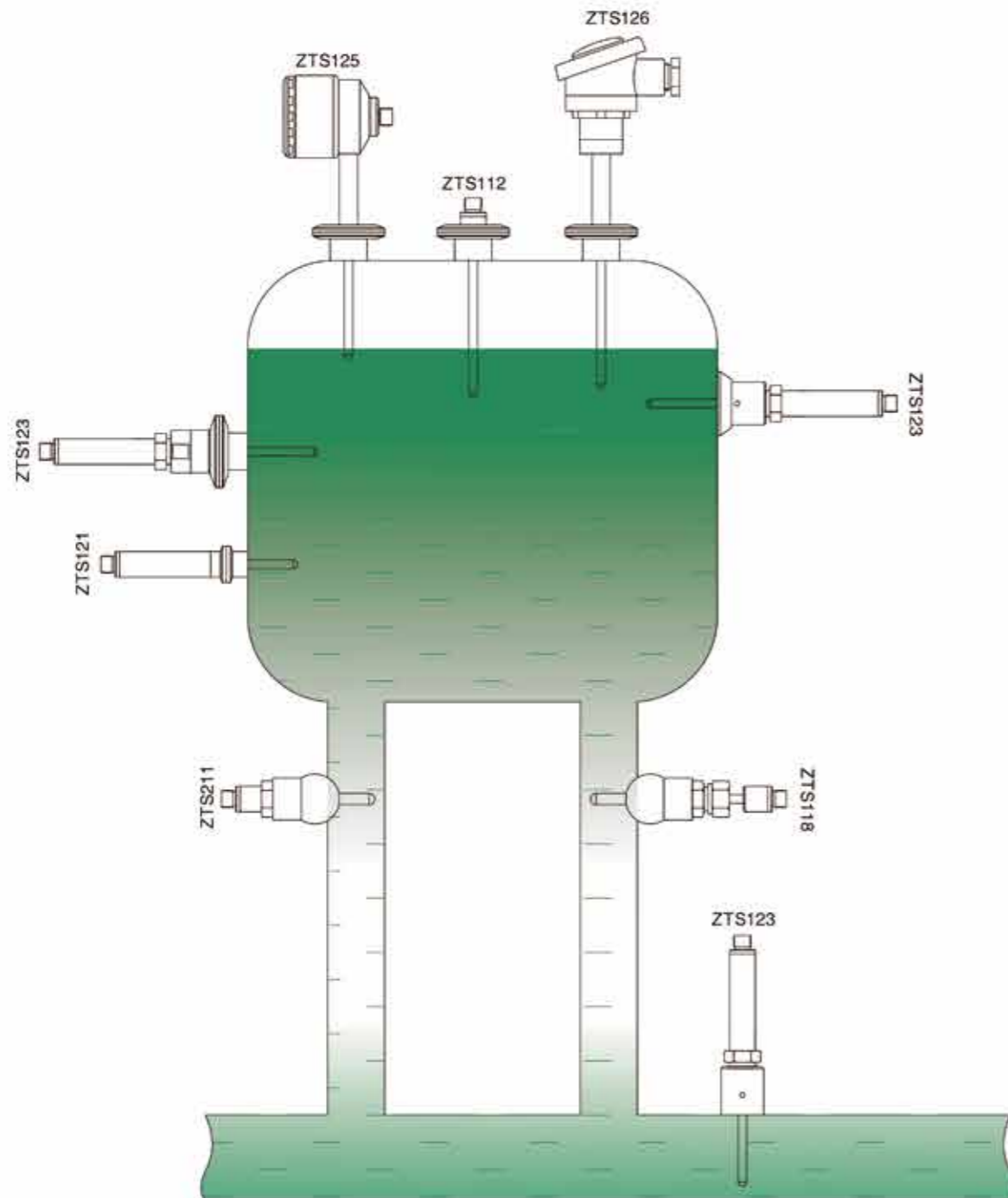
Adapts G1/2" (ZF) taper sanitary seal temperature products



It is suitable for sanitary sealing welding base of common threaded connection temperature products

It is suitable for ZTS118 series products with optional thread specifications

Sanitary Installation Diagram



Temperature Sensor/Transmitter

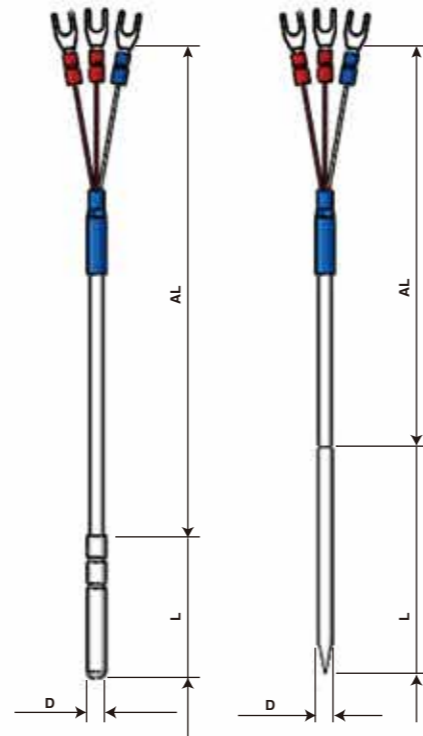
「For Industrial Application」



WRNT-100 Series

WZPT-100 Series

| Serial Number | Parameter | Detailed Description |
|---------------|------------------------------------|--|
| 1 | WRNT-100 Series WZPT-100 Series | WRNT: Thermocouple WZPT: Thermal Resistance |
| 2 | Quantity: x | 1: Single 2: Double |
| 3 | Graduation number: F | Platinum Resistance: PT100, PT1000, PT200, PT500... Thermocouple :S/R/B/K/E/J/N/T |
| 4 | Accuracy: CL | Platinum Resistance: A B C 1/3B Thermocouple: I II III |
| 5 | Diameter: D(mm) | 2 3 4 5 6 8 10.../Designation |
| 6 | Length: L(mm) | 10-2000/Designation |
| 7 | Line Length: AL(M) | 0.5M 1M 2M 3M.../Designation |
| 8 | Operating Temperature: T | Platinum Resistance:-200-850 C specified within Thermocouple : -270-1820 C specified within |
| 9 | Wiring: W | Platinum Resistance: W2: Two-wire system W3: Three-wire system W4: Four-wire system W6: Six-wire system Thermocouple:none |
| 10 | Shielded Or Not: S | S0: Without Shield S1: With Shield |
| 11 | End of line treatment: XW | 1. Tinning 2. U-shaped fork 3. Straight pin terminal 4. Copper skin terminal 5. Aviation plug 6. Other terminals specified by customers |
| 12 | Special Needs: SPE | Customer-specified requirements: such as waterproof, anti-corrosion, wear-resistant, explosion-proof, etc. |



WZPT-100-x-F-CL-D*L-AL-T-W-S-XW-Spe

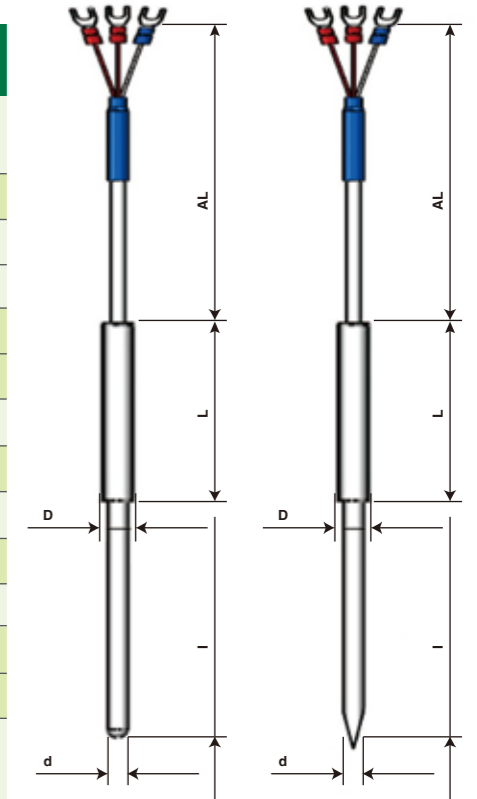
selection examples: **WZPT-100-1-PT100-A-4*30mm-2M-200°C-W3-S0-1**



WRNT-191 Series

WZPT-191 Series

| Serial Number | Parameter | Detailed Description |
|---------------|------------------------------------|--|
| 1 | WRNT-191 Series WZPT-191 Series | WRNT: Thermocouple WZPT: Thermal resistance |
| 2 | Quantity: x | 1: Single 2: Double |
| 3 | Graduation number: F | Platinum Resistance: PT100, PT1000, PT200, PT500... Thermocouple :S/R/B/K/E/J/N/T |
| 4 | Accuracy: CL | Platinum Resistance: A B C 1/3B Thermocouple: I II III |
| 5 | Diameter: D(mm) | 4 5 6 8 10.../Designation |
| 6 | Length: L(mm) | 30-2000/Designation |
| 7 | Small Diameter: d(mm) | 2 3 4 5 6 8 10.../Designation |
| 8 | Length: l(mm) | 10-2000/Designation |
| 9 | Line Length: AL(M) | 0.5M 1M 2M 3M.../Designation |
| 10 | Operating Temperature: T | Platinum Resistance:-200-850 C specified within Thermocouple : -270-1820 C specified within |
| 11 | Wiring: W | Platinum Resistance: W2: Two-wire system W3: Three-wire system W4: Four-wire system W6: Six-wire system Thermocouple: none |
| 12 | Shielded Or Not: S | S0: Without Shield S1: With Shield |
| 13 | End of line treatment: XW | 1. Tinning 2. U-shaped fork 3. Straight pin terminal 4. Copper skin terminal 5. Aviation plug 6. Other terminals specified by customers |
| 14 | Special Needs: SPE | Customer-specified requirements: such as waterproof, anti-corrosion, wear-resistant, explosion-proof, etc. |



WZPT-191-x-F-CL-D*L-d*l-AL-T-W-S-XW-Spe

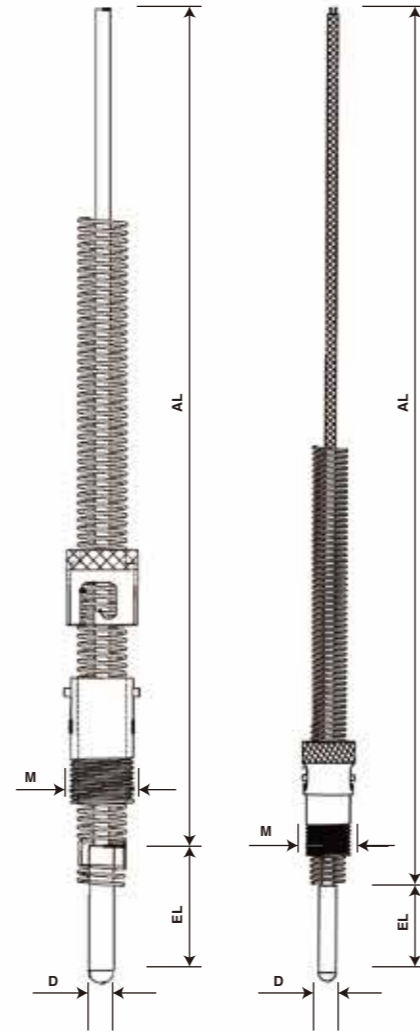
selection examples: **WZPT-191-1-PT100-A-8*40mm-6*100mm-2M-200°C-W3-S0-1**



WRNT-202 Series

WZPT-202 Series

| Serial Number | Parameter | Detailed Description |
|---------------|------------------------------------|---|
| 1 | WRNT-202 Series WZPT-202 Series | WRNT: Thermocouple WZPT: Thermal Resistance |
| 2 | Quantity: x | 1:Single 2:Double |
| 3 | Graduation number: F | Platinum Resistance: PT100、PT1000、PT200、PT500... Thermocouple :S/R/B/K/E/J/N/T |
| 4 | Accuracy: CL | Platinum Resistance: A B C 1/3B Thermocouple: I II III |
| 5 | Thread specification M | No M8 * 1.25 M10 * 1.5 G 1 / 2..... Or specify |
| 6 | diameter D(mm) | 2 3 4 5 6 8 10 20 or specified..... |
| 7 | Enter Length: EL(mm) | 10-2000/Designation |
| 8 | Line Length: AL(M) | 0.5M 1M 2M 3M.../Designation |
| 9 | Operating Temperature: T | Platinum Resistance:-200-850 C specified within Thermocouple : -270-1820 C specified within |
| 10 | Wiring: W | Platinum Resistance: W2: Two-wire system W3: Three-wire system W4: Four-wire system W6: Six-wire system Thermocouple: none |
| 11 | Shielded Or Not: S | S0: Without Shield S1: With Shield |
| 12 | End of line treatment: XW | 1. Tinning 2. U-shaped fork 3. Straight pin terminal 4. Copper skin terminal 5. Aviation plug 6. Other terminals specified by customers |
| 13 | Special Needs: SPE | Customer-specified requirements: such as waterproof, anti-corrosion, wear-resistant, explosion-proof, etc. |



WZPT-202-x-F-CL-M-D*EL-AL-T-W-S-XW-Spe

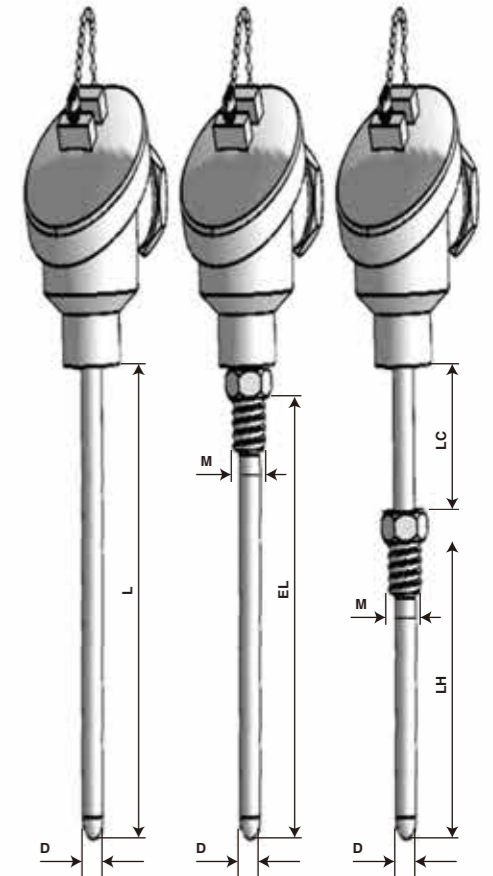
selection examples: WZPT-202-2-PT100-A-M10*1.5-6*27-2M-200°C-W3-S1-1



WZP Series

WRN Series

| Serial Number | Parameter | Detailed Description |
|---------------|--------------------------|---|
| 1 | WZP Series WRN Series | 1: Straight pipe without fixing method 2: Threaded installation 3: With cold end thread |
| 2 | Quantity: x | 1:Single 2:Double |
| 3 | Graduation number: F | Platinum Resistance: PT100、PT1000、PT200、PT500... Thermocouple :S/R/B/K/E/J/N/T |
| 4 | Accuracy: CL | Platinum Resistance: A B C 1/3B Thermocouple: I II III |
| 5 | Thread specification M | No M8 * 1.25 M10 * 1.5 G 1 / 2..... Or specify |
| 6 | Diameter D(mm) | 2 3 4 5 6 8 10 20 or specified..... |
| 7 | Cold End LC (mm) | None: 0 1~200mm or specified |
| 8 | Hot end LH (mm) | 50~2000mm or specified |
| 9 | Operating Temperature: T | Platinum Resistance:-200-850 C specified within Thermocouple : -270-1820 C specified within |
| 10 | Wiring: W | Platinum Resistance: W2: Two-wire system W3: Three-wire system W4: Four-wire system W6: Six-wire system Thermocouple: none |
| 11 | Output type O | O1: Resistance signal O2: 4~20mA O3: 0~5V O4: 0~10V |
| 12 | Special Needs: SPE | Customer-specified requirements: such as waterproof, anti-corrosion, wear-resistant, explosion-proof, etc. |



WRN-1-x-F-CL-M-D-LC/LH-T-W-O-Spe

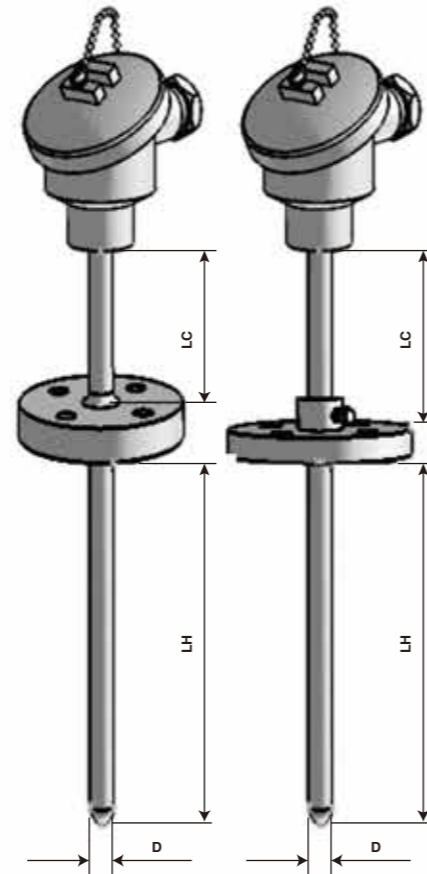
selection examples: WRN-1-1-PT100-A-M12*1.75-D8-50/100mm-200°C-W3-O



WZP Series

WRN Series

| Serial Number | Parameter | Detailed Description |
|---------------|--------------------------|---|
| 1 | WZP Series WRN Series | 4 Flange |
| 2 | Quantity: x | 1: Single 2: Double |
| 3 | Graduation number: F | Platinum Resistance: PT100、PT1000、PT200、PT500.... Thermocouple :S/R/B/K/E/J/N/T |
| 4 | Accuracy: CL | Platinum Resistance: A B C 1/3B Thermocouple: I II III |
| 5 | Flange specification DN | DN25PN0.6 DN25PN1.0 DN25PN1.6 or designation |
| 6 | diameter D(mm) | 2 3 4 5 6 8 10 20 or specified..... |
| 7 | Cold End LC (mm) | None: 0 1~200mm or specified |
| 8 | Hot end LH (mm) | 50~2000mm or specified |
| 9 | Operating Temperature: T | Platinum Resistance:-200-850℃ specified within Thermocouple : -270-1820℃ specified within |
| 10 | Wiring: W | Platinum Resistance: W2: Two-wire system W3: Three-wire system W4: Four-wire system W6: Six-wire system Thermocouple: none |
| 11 | Output type O | O1: Resistance signal O2: 4~20mA O3: 0~5V O4: 0~10V |
| 12 | Special Needs: SPE | Customer-specified requirements: such as waterproof, anti-corrosion, wear-resistant, explosion-proof, etc. |



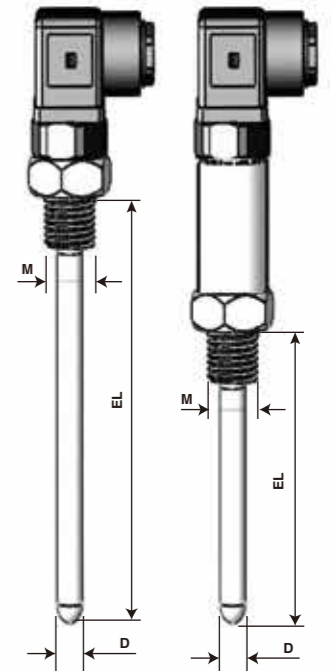
WZP-4-1-x-F-CL-DN-D-LC/LH-T-W-O-Spe

selection examples: **WZP-4-1-PT100-A-DN25PN0.6-D8-50/100mm-200°C-W3-O1**



YF-605 Series

| Serial Number | Parameter | Detailed Description |
|---------------|--------------------------|---|
| 1 | YF-605 series | |
| 2 | Number of branches X | 1:single branch 2: double branch |
| 3 | Divide number F | Platinum resistance:PT100 PT1000 PT200 PT500 Thermocouple :S/R/B/K/E/J/N/T |
| 4 | accuracy CL | Platinum resistance: A B C 1 / 3B Thermocouple: I II III |
| 5 | Thread specification M | No M8 * 1.25 M10 * 1.5 G 1 / 2..... Or specify |
| 6 | diameter D(mm) | 2 3 4 5 6 8 10 20 or specified..... |
| 7 | Hot end LH (mm) | 50to 2000 mm or specified |
| 8 | Operating Temperature: T | Platinum resistance: -200-850℃ Within the scope specified Thermocouple: -270-1820℃ Within the scope specified |
| 9 | Connection mode W | Clamp resistance: W2: second-line system W3: Three system W4: Four-line system W6: six-line system thermocouple:..... |
| 10 | Output type O | O1: Raw signal O2: 4~20mA O3: 0-5V O4: 0-10V |
| 11 | Plug CT | HSMP: Hersman joint straight pipe HSMN: Hersman joint thread HSMC: Hersman joint with cold end HKP:Aerospace plug straight pipe HKN:Aerospace plug thread |
| 12 | special requirement Spe | Plug parameters and customer specific special requirements |



YF-605-x-F-CL-M-D-EL-T-W-O-CT-Spe

selection examples: **YF-605-1-PT100-A-M12*1.75-D8-100mm-200°C-W3-O2-HSMC**



WZPT-206 Series

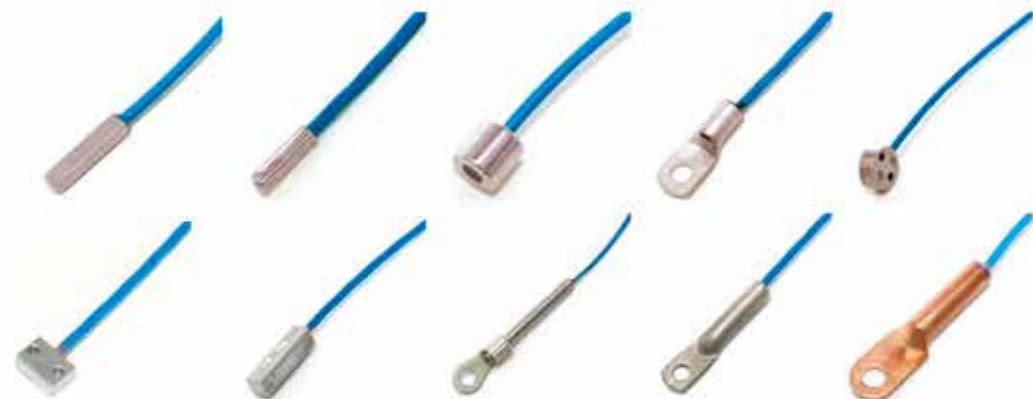
WRNT-206 Series

| Serial Number | Parameter | Detailed Description |
|---------------|------------------------------------|---|
| 1 | WRNT-206 Series WZPT-206 Series | |
| 2 | Quantity: x | 1:Single 2:Double |
| 3 | Graduation number: F | Platinum Resistance: PT100、PT1000、PT200、PT500.... Thermocouple :S/R/B/K/E/J/N/T |
| 4 | Accuracy: CL | Platinum Resistance: A B C 1/3B Thermocouple: I II III |
| 5 | Sizes Si | 4.5*7*30mm 4*4*20mm D15*15mm (magnetism) 8*M4*5mm D15*6mm 15*10*6mm |
| 6 | Line length AL(M) | 0.5M 1M 2M 3M.../designation |
| 7 | Operating Temperature: T | Platinum Resistance:-200-850 C specified within Thermocouple : -270-1820 C specified within |
| 8 | Wiring: W | Platinum Resistance: W2: Two-wire system W3: Three-wire system W4: Four-wire system W6: Six-wire system Thermocouple: none |
| 9 | Shielded Or Not: S | S0: Without Shield S1: With Shield |
| 10 | End of line treatment: XW | 1. Tinning 2. U-shaped fork 3. Straight pin terminal 4. Copper skin terminal 5. Aviation plug 6. Other terminals specified by customers |
| 11 | Special Needs: SPE | Customer-specified requirements: such as waterproof, anti-corrosion, wear-resistant, explosion-proof, etc. |



WZPT-206-x-F-CL-Si-AL-T-W-S-XW-Spe

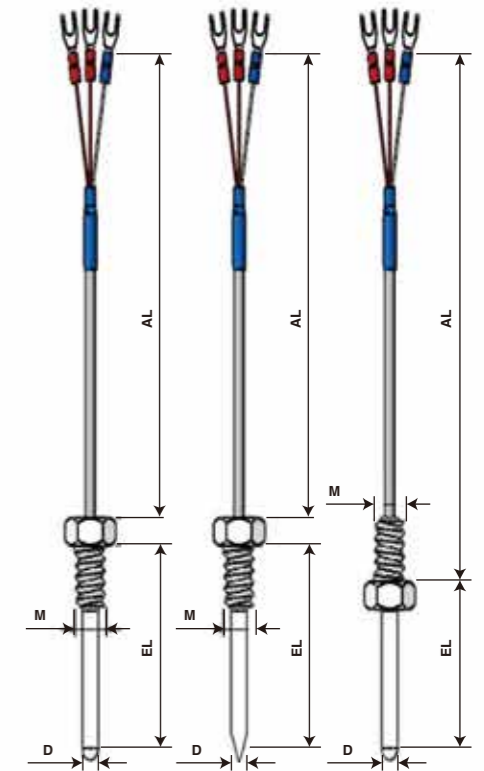
selection examples: **WZPT-206-1-PT100-A-4.5*7*30mm-2M-200°C-W3-S0-1**



WRNT-205 Series

WZPT-205 Series

| Serial Number | Parameter | Detailed Description |
|---------------|------------------------------------|---|
| 1 | WRNT-205 Series WZPT-205 Series | WRNT: Thermocouple WZPT: Thermal Resistance |
| 2 | Quantity: x | 1: Single 2: Double |
| 3 | Graduation number: F | Platinum Resistance: PT100、PT1000、PT200、PT500.... Thermocouple :S/R/B/K/E/J/N/T |
| 4 | Accuracy: CL | Platinum Resistance: A B C 1/3B Thermocouple: I II III |
| 5 | Thread specification M | No M8 * 1.25 M10 * 1.5 G 1 / 2..... Or specify |
| 6 | diameter D(mm) | 2 3 4 5 6 8 10 20 or specified..... |
| 7 | Enter Length: EL(mm) | 10-2000/Designation |
| 8 | Line Length: AL(M) | 0.5M 1M 2M 3M.../Designation |
| 9 | Operating Temperature: T | Platinum Resistance:-200-850 C specified within Thermocouple : -270-1820 C specified within |
| 10 | Wiring: W | Platinum Resistance: W2: Two-wire system W3: Three-wire system W4: Four-wire system W6: Six-wire system Thermocouple: none |
| 11 | Shielded Or Not: S | S0: Without Shield S1: With Shield |
| 12 | End of line treatment: XW | 1. Tinning 2. U-shaped fork 3. Straight pin terminal 4. Copper skin terminal 5. Aviation plug 6. Other terminals specified by customers |
| 13 | Special Needs: SPE | Customer-specified requirements: such as waterproof, anti-corrosion, wear-resistant, explosion-proof, etc. |

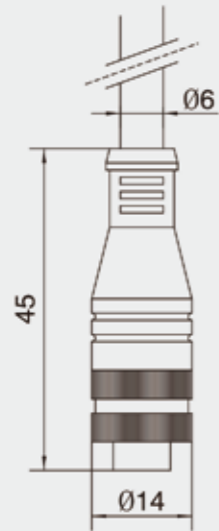


WZPT-205-x-F-CL-M-D*EL-AL-T-W-S-XW-Spe

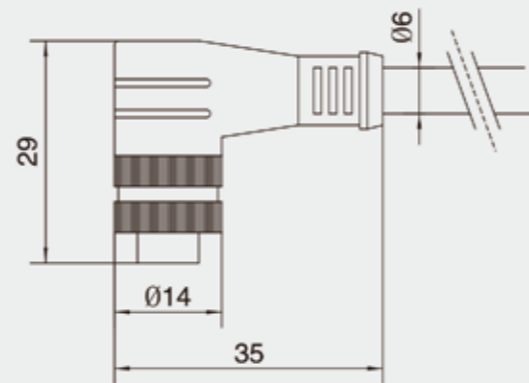
selection examples: **WZPT-205-2-PT100-A-M10*1.5-6*27-2M-200°C-W3-S1-1**



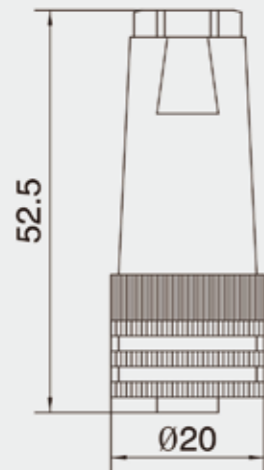
M12*1 Aviation Connection Fittings



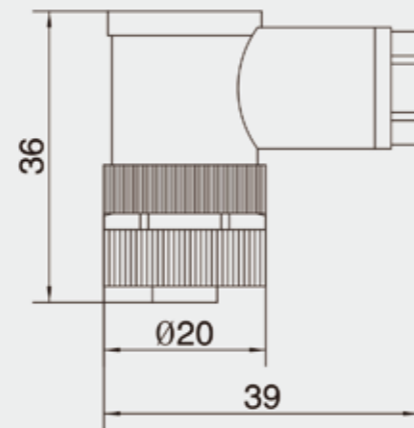
Straight head wiring
(line length 1m/2m/4m/5m)



90° elbow wiring
(line length 1m/2m/4m/5m)

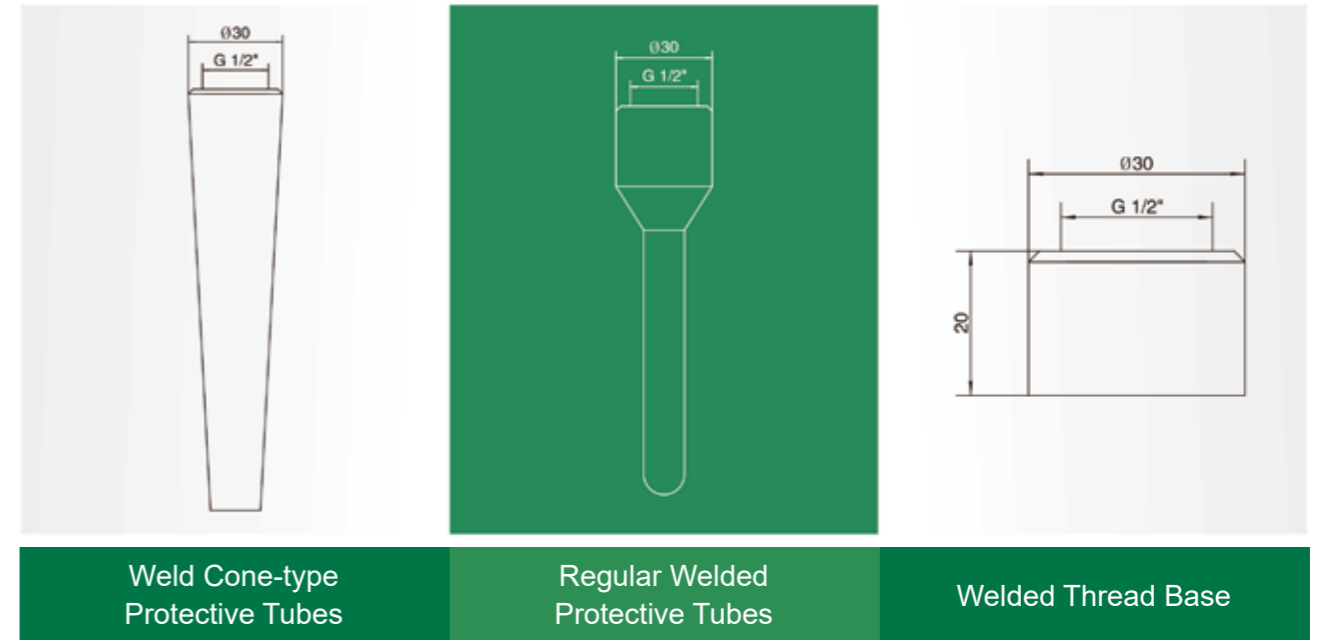


Straight head can be self-wired



90° elbows can be self-wired

Installation Accessories

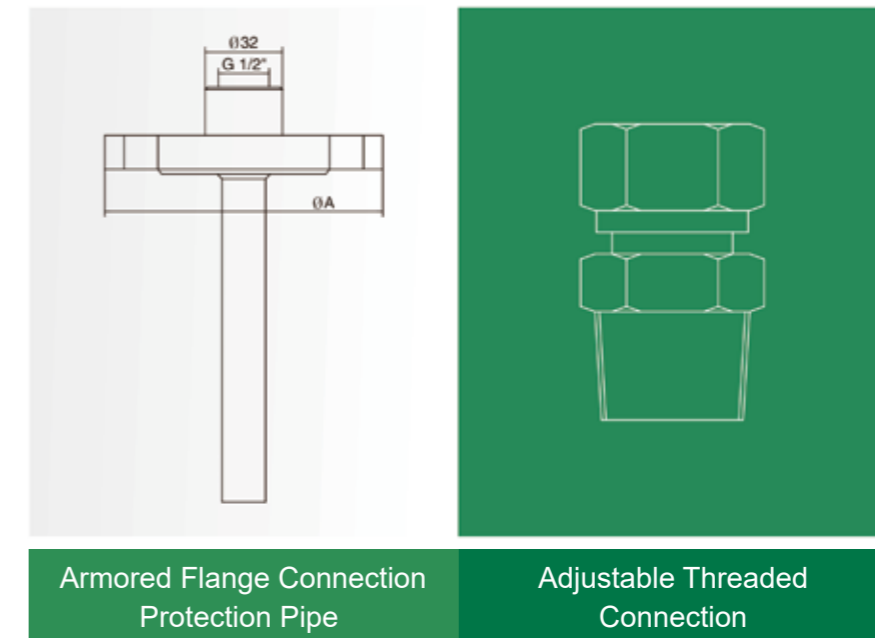


Weld Cone-type
Protective Tubes

Regular Welded
Protective Tubes

Welded Thread Base

Temperature Welded Fittings

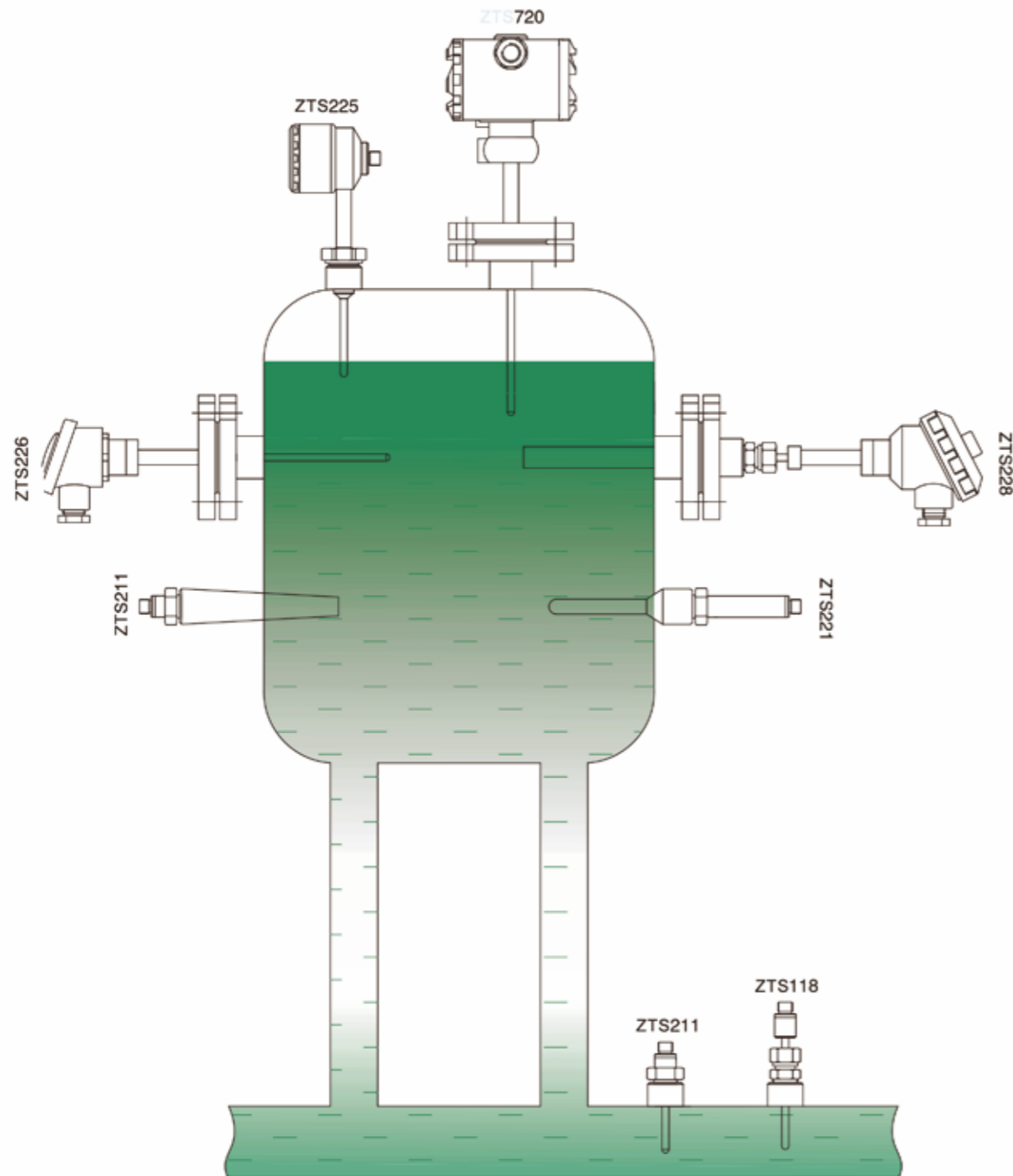


Armored Flange Connection
Protection Pipe

Adjustable Threaded
Connection

Temperature Connection Fittings

Industrial Type Installation Diagram



Other Notes for Industrial Type

1. Measure the core position and section view
2. Measuring the structural relationship between the temperature and the extension tube (only for the style with junction box)

| Number | Temperature range | L1 (Extended Tube Length (mm)) |
|--------|-------------------|--------------------------------|
| 1 | -20~150°C | 50mm |
| 2 | -20~200°C | 100mm |
| 3 | -20~400°C | 150mm |

Note: Add -W after no extension tube model at room temperature
The non-standard extension tube length can be added to the model number after -XXX

Example: ZTS2260T02080100-W,
"-W" means extension tube without heat dissipation;
ZTS2260T02080100-120,
-120 indicates that the length of the heat dissipation extension tube is 120mm.

3. Requirements for PTFE Covered Type

- Flange installation is required for stainless steel PTFE covered type
- The temperature of stainless steel PTFE covered type is required to be less than 200°C
- The pressure requirement for the stainless steel PTFE covered type is less than 10bar

**PT100 Thermal Resistance Table
Corresponding to Temperature Resistance Values**

| | 0 | 1 | 2 | 3 | 4 | 5 | 6 | 7 | 8 | 9 |
|-------------|------------------|--------|--------|------------------|--------|--------|------------------|--------|--------|--------|
| Temperature | Resistance (Ω) | | | Resistance (Ω) | | | Resistance (Ω) | | | |
| 0 | 0 | 100.39 | 100.78 | 101.17 | 101.56 | 101.95 | 102.34 | 102.73 | 103.12 | 103.51 |
| 10 | 103.9 | 104.29 | 104.68 | 105.07 | 105.46 | 105.85 | 106.24 | 106.63 | 107.02 | 107.4 |
| 20 | 107.79 | 108.18 | 108.57 | 108.96 | 109.35 | 109.73 | 110.12 | 110.51 | 110.9 | 111.29 |
| 30 | 111.67 | 112.06 | 112.45 | 112.83 | 113.22 | 113.61 | 114 | 114.38 | 114.77 | 115.15 |
| 40 | 115.54 | 115.93 | 116.31 | 116.7 | 117.08 | 117.47 | 117.86 | 118.24 | 118.63 | 119.01 |
| 50 | 119.4 | 119.78 | 120.17 | 120.55 | 120.94 | 121.32 | 121.71 | 122.09 | 122.47 | 122.86 |
| 60 | 123.24 | 123.63 | 124.01 | 124.39 | 124.78 | 125.16 | 125.54 | 125.93 | 126.31 | 126.69 |
| 70 | 127.08 | 127.46 | 127.84 | 128.22 | 128.61 | 128.99 | 129.37 | 129.75 | 130.13 | 130.52 |
| 80 | 130.9 | 131.28 | 131.66 | 132.04 | 132.42 | 132.8 | 133.18 | 133.57 | 133.95 | 134.33 |
| 90 | 134.71 | 135.09 | 135.47 | 135.85 | 136.23 | 136.61 | 136.99 | 137.37 | 137.75 | 138.13 |
| 100 | 138.51 | 138.88 | 139.26 | 139.64 | 140.02 | 140.4 | 140.78 | 141.16 | 141.54 | 141.91 |
| 110 | 142.29 | 142.67 | 143.05 | 143.43 | 143.8 | 144.18 | 144.56 | 144.94 | 145.31 | 145.69 |
| 120 | 146.07 | 146.44 | 146.82 | 147.2 | 147.57 | 147.95 | 148.33 | 148.7 | 149.08 | 149.46 |
| 130 | 149.83 | 150.21 | 150.58 | 150.96 | 151.33 | 151.71 | 152.08 | 152.46 | 152.83 | 153.21 |
| 140 | 153.58 | 153.96 | 154.33 | 154.71 | 155.08 | 155.46 | 155.83 | 156.2 | 156.58 | 156.95 |
| 150 | 157.33 | 157.7 | 158.07 | 158.45 | 158.82 | 159.19 | 159.56 | 159.94 | 160.31 | 160.68 |
| 160 | 161.05 | 161.43 | 161.8 | 162.17 | 162.54 | 162.91 | 163.29 | 163.66 | 164.03 | 164.4 |
| 170 | 164.77 | 165.14 | 165.51 | 165.89 | 166.26 | 166.63 | 167 | 167.37 | 167.74 | 168.11 |
| 180 | 168.48 | 168.85 | 169.22 | 169.59 | 169.96 | 170.33 | 170.7 | 171.07 | 171.43 | 171.8 |
| 190 | 172.17 | 172.54 | 172.91 | 173.28 | 173.65 | 174.02 | 174.38 | 174.75 | 175.12 | 175.49 |
| 200 | 175.86 | 176.22 | 176.59 | 176.96 | 177.33 | 177.69 | 178.06 | 178.43 | 178.79 | 179.06 |
| 210 | 179.53 | 179.89 | 180.26 | 180.63 | 180.99 | 181.36 | 181.72 | 182.09 | 182.46 | 182.82 |
| 220 | 183.19 | 183.55 | 183.92 | 184.28 | 184.65 | 185.01 | 185.38 | 185.74 | 186.11 | 186.47 |
| 230 | 186.84 | 187.2 | 187.56 | 187.93 | 188.29 | 188.66 | 189.02 | 189.38 | 189.75 | 190.1 |
| 240 | 190.47 | 190.84 | 191.2 | 191.56 | 191.92 | 192.29 | 192.65 | 193.01 | 193.37 | 193.74 |
| 250 | 194.1 | 194.46 | 194.82 | 195.18 | 195.55 | 195.91 | 196.27 | 196.63 | 196.99 | 197.35 |
| 260 | 197.71 | 198.07 | 198.43 | 198.79 | 199.15 | 199.51 | 199.87 | 200.23 | 200.59 | 200.95 |
| 270 | 201.31 | 201.67 | 202.03 | 202.39 | 202.75 | 203.11 | 203.47 | 203.83 | 204.19 | 204.55 |
| 280 | 204.9 | 205.26 | 205.62 | 205.98 | 206.34 | 206.7 | 207.05 | 207.41 | 207.77 | 208.13 |
| 290 | 208.48 | 208.84 | 209.2 | 209.56 | 209.91 | 210.27 | 210.63 | 210.98 | 211.34 | 211.7 |
| 300 | 212.05 | 212.41 | 212.76 | 213.12 | 213.48 | 213.83 | 214.19 | 214.54 | 214.9 | 215.25 |
| 310 | 215.61 | 215.96 | 216.32 | 216.67 | 217.03 | 217.38 | 217.74 | 218.09 | 218.44 | 218.8 |
| 320 | 219.15 | 219.51 | 219.86 | 220.21 | 220.57 | 220.92 | 221.27 | 221.63 | 221.98 | 222.33 |

**PT100 Thermal Resistance Table
Corresponding to Temperature Resistance Values**

| | 0 | 1 | 2 | 3 | 4 | 5 | 6 | 7 | 8 | 9 |
|-------------|------------------|--------|--------|------------------|--------|--------|------------------|--------|--------|--------|
| Temperature | Resistance (Ω) | | | Resistance (Ω) | | | Resistance (Ω) | | | |
| 330 | 222.68 | 223.04 | 223.39 | 223.74 | 224.09 | 224.45 | 224.8 | 225.15 | 225.5 | 225.85 |
| 340 | 226.21 | 226.56 | 226.91 | 227.26 | 227.61 | 227.96 | 228.31 | 228.66 | 229.02 | 229.37 |
| 350 | 229.72 | 230.07 | 230.42 | 230.77 | 231.12 | 231.47 | 231.82 | 232.17 | 232.52 | 232.87 |
| 360 | 233.21 | 233.56 | 233.91 | 234.26 | 234.61 | 234.96 | 235.31 | 235.66 | 236 | 236.35 |
| 370 | 236.7 | 237.05 | 237.4 | 237.74 | 238.09 | 238.44 | 238.79 | 239.13 | 239.48 | 239.83 |
| 380 | 240.18 | 240.52 | 240.87 | 241.22 | 241.56 | 241.91 | 242.26 | 242.6 | 242.95 | 243.29 |
| 390 | 243.64 | 243.99 | 244.33 | 244.68 | 245.02 | 245.37 | 245.71 | 246.06 | 246.4 | 246.75 |
| 400 | 247.09 | 247.44 | 247.78 | 248.13 | 248.47 | 248.81 | 249.16 | 249.5 | 249.85 | 250.19 |
| 410 | 250.53 | 250.88 | 251.22 | 251.56 | 251.91 | 252.25 | 252.59 | 252.93 | 253.28 | 253.62 |
| 420 | 253.96 | 254.3 | 254.65 | 254.99 | 255.33 | 255.67 | 256.01 | 256.35 | 256.7 | 257.04 |
| 430 | 257.38 | 257.72 | 258.06 | 258.4 | 258.74 | 259.08 | 259.42 | 259.76 | 260.1 | 260.44 |
| 440 | 260.78 | 261.12 | 261.46 | 261.8 | 262.14 | 262.48 | 262.82 | 263.16 | 263.5 | 263.84 |
| 450 | 264.18 | 264.52 | 264.86 | 265.2 | 265.53 | 265.87 | 266.21 | 266.55 | 266.89 | 267.22 |
| 460 | 267.56 | 267.9 | 268.24 | 268.57 | 268.91 | 269.25 | 269.59 | 269.92 | 270.26 | 270.6 |
| 470 | 270.93 | 271.27 | 271.61 | 271.94 | 272.28 | 272.61 | 272.95 | 273.29 | 273.62 | 273.96 |
| 480 | 274.29 | 274.63 | 274.96 | 275.3 | 275.63 | 275.97 | 276.3 | 276.64 | 276.97 | 277.31 |
| 490 | 277.64 | 277.98 | 278.31 | 278.64 | 278.98 | 279.31 | 279.64 | 279.98 | 280.31 | 280.64 |
| 500 | 280.98 | 281.31 | 281.64 | 281.98 | 282.31 | 282.64 | 282.97 | 283.31 | 283.64 | 283.97 |
| 510 | 284.3 | 284.63 | 284.97 | 285.3 | 285.63 | 285.96 | 286.29 | 286.62 | 286.95 | 287.29 |
| 520 | 287.62 | 287.95 | 288.28 | 288.61 | 288.94 | 289.27 | 289.6 | 289.93 | 290.26 | 290.59 |
| 530 | 290.92 | 291.25 | 291.58 | 291.91 | 292.24 | 292.56 | 292.89 | 293.22 | 293.55 | 293.88 |
| 540 | 294.21 | 294.54 | 294.86 | 295.19 | 295.52 | 295.85 | 296.18 | 296.5 | 296.83 | 297.16 |
| 550 | 297.49 | 297.81 | 298.14 | 298.47 | 298.8 | 299.12 | 299.45 | 299.78 | 300.1 | 300.43 |
| 560 | 300.75 | 301.08 | 301.41 | 301.73 | 302.06 | 302.38 | 302.71 | 303.03 | 303.36 | 303.69 |
| 570 | 304.01 | 304.34 | 304.66 | 304.98 | 305.31 | 305.63 | 305.96 | 306.28 | 306.61 | 306.93 |
| 580 | 307.25 | 307.58 | 307.9 | 308.23 | 308.55 | 308.87 | 309.2 | 309.52 | 309.84 | 310.16 |
| 590 | 310.49 | 310.81 | 311.13 | 311.45 | 311.78 | 312.1 | 312.42 | 312.74 | 313.06 | 313.39 |
| 600 | 313.71 | 314.03 | 314.35 | 314.67 | 314.99 | 315.31 | 315.64 | 315.96 | 316.28 | 316.6 |
| 610 | 316.92 | 317.24 | 317.56 | 317.88 | 318.2 | 318.52 | 318.84 | 319.16 | 319.48 | 319.8 |
| 620 | 320.12 | 320.43 | 320.75 | 321.07 | 321.39 | 321.71 | 322.03 | 322.35 | 322.67 | 322.98 |
| 630 | 323.3 | 323.62 | 323.94 | 324.26 | 324.57 | 324.89 | 325.21 | 325.53 | 325.84 | 326.16 |
| 640 | 326.48 | 326.79 | 327.11 | 327.43 | 327.74 | 328.06 | 328.38 | 328.69 | 329.01 | 329.32 |
| 650 | 329.64 | 329.96 | 330.27 | 330.59 | 330.9 | 331.22 | 331.53 | 331.85 | 332.16 | 332.48 |
| 660 | 332.79 | | | | | | | | | |

PT100 Thermal Resistance Table Corresponding to Temperature Resistance Values

| | 0 | 1 | 2 | 3 | 4 | 5 | 6 | 7 | 8 | 9 | |
|-------------|------------------|-------|-------|------------------|-------|-------|-------|------------------|-------|-------|--|
| Temperature | Resistance (Ω) | | | Resistance (Ω) | | | | Resistance (Ω) | | | |
| -200 | 18.52 | | | | | | | | | | |
| -190 | 22.83 | 22.4 | 21.97 | 21.54 | 21.11 | 20.68 | 20.25 | 19.82 | 19.38 | 18.95 | |
| -180 | 27.1 | 26.67 | 26.24 | 25.82 | 25.39 | 24.97 | 24.54 | 24.11 | 23.68 | 23.25 | |
| -170 | 31.34 | 30.91 | 30.49 | 30.07 | 29.64 | 29.22 | 28.8 | 28.37 | 27.95 | 27.52 | |
| -160 | 35.54 | 35.12 | 34.7 | 34.28 | 33.86 | 33.44 | 33.02 | 32.6 | 32.18 | 31.76 | |
| -150 | 39.72 | 39.31 | 38.89 | 38.47 | 38.05 | 37.64 | 37.22 | 36.8 | 36.38 | 35.96 | |
| -140 | 43.88 | 43.46 | 43.05 | 42.63 | 42.22 | 41.8 | 41.39 | 40.97 | 40.56 | 40.14 | |
| -130 | 48.00 | 47.59 | 47.18 | 46.77 | 46.36 | 45.94 | 45.53 | 45.12 | 44.7 | 44.29 | |
| -120 | 52.11 | 51.7 | 51.29 | 50.88 | 50.47 | 50.06 | 49.65 | 49.24 | 48.83 | 48.42 | |
| -110 | 56.19 | 55.79 | 55.38 | 54.97 | 54.56 | 54.15 | 53.75 | 53.34 | 52.93 | 52.52 | |
| -100 | 60.26 | 59.85 | 59.44 | 59.04 | 58.63 | 58.23 | 57.82 | 57.41 | 57.01 | 56.6 | |
| -90 | 64.3 | 63.9 | 63.49 | 63.09 | 62.68 | 62.28 | 61.88 | 61.47 | 61.07 | 60.66 | |
| -80 | 68.33 | 67.92 | 67.52 | 67.12 | 66.72 | 66.31 | 65.91 | 65.51 | 65.11 | 64.7 | |
| -70 | 72.33 | 71.93 | 71.53 | 71.13 | 70.73 | 70.33 | 69.93 | 69.53 | 69.13 | 68.73 | |
| -60 | 76.33 | 75.93 | 75.53 | 75.13 | 74.73 | 74.33 | 73.93 | 73.53 | 73.13 | 72.73 | |
| -50 | 80.31 | 79.91 | 79.51 | 79.11 | 78.72 | 78.32 | 77.92 | 77.52 | 77.12 | 76.73 | |
| -40 | 84.27 | 83.87 | 83.48 | 83.08 | 82.69 | 82.29 | 81.89 | 81.5 | 81.1 | 80.7 | |
| -30 | 88.22 | 87.83 | 87.43 | 87.04 | 86.64 | 86.25 | 85.85 | 85.46 | 85.06 | 84.67 | |
| -20 | 92.16 | 91.77 | 91.37 | 90.98 | 90.59 | 90.19 | 89.8 | 89.4 | 89.01 | 88.62 | |
| -10 | 96.09 | 95.69 | 95.3 | 94.91 | 94.52 | 94.12 | 93.73 | 93.34 | 92.95 | 92.55 | |
| 0 | 100 | 99.61 | 99.22 | 98.83 | 98.44 | 98.04 | 97.65 | 97.26 | 96.87 | 96.48 | |