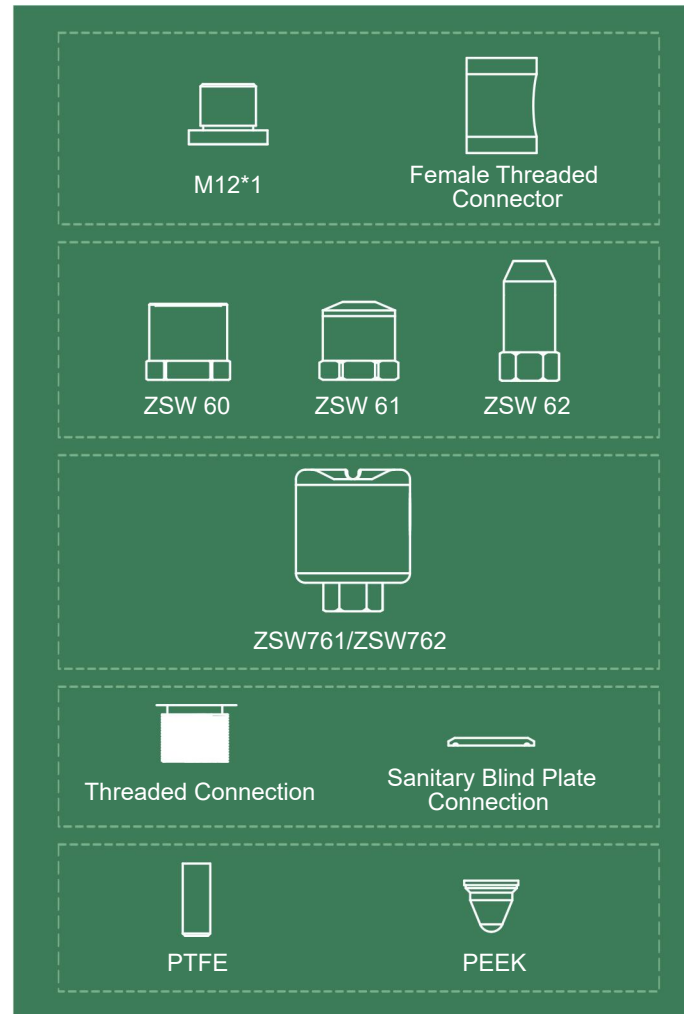
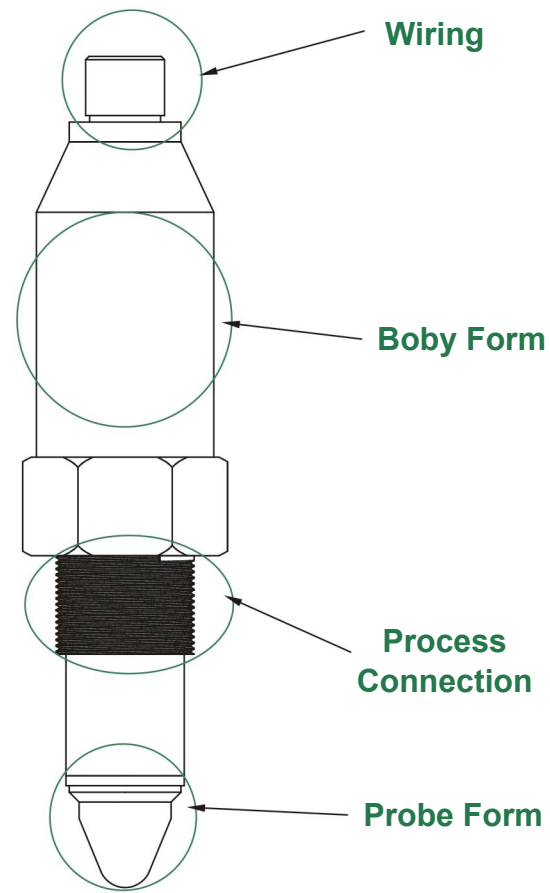
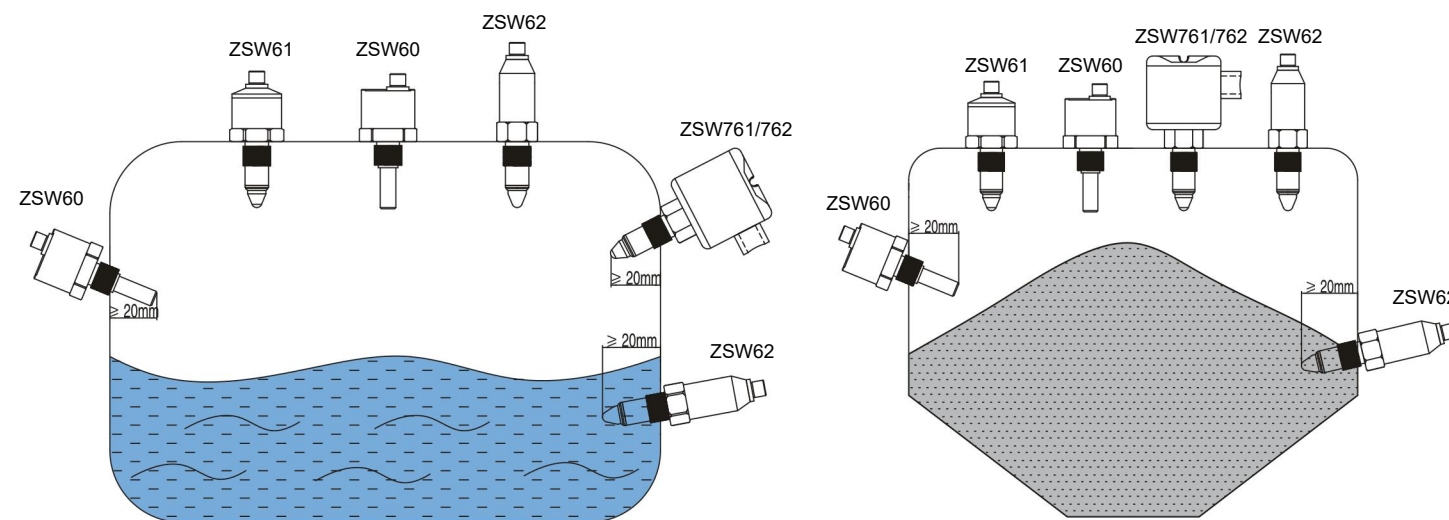


Product Structure Drawing



Installation Instruction



ZSW Small Intelligent Capacitive Level Switch—Selection Table

ZSW		[][]-[][]-[][]-[][]-[][]			
Product Category					
Standard Keypad Type	6	0			
Standard Magnetic Label Type	6	1			
Magnetic Label Transistor Output Type	6	2			
Explosion-proof Standard Type	7	6	1		
Explosion-proof Transistor Output Type	7	6	2		
Process Connection Dimension Specification (as per standard combination)					
G1/2" Standard Thread				G1	
1/2"PT Standard Thread				P1	
1/2"NPT Standard Thread				N1	
50.5 Sanitary Blind Plate				W1	
Special Specifications				SS	
Body Material					
SUS304				0	
SUS316L				6	
Special Specifications				S	
Liquid Connection Material					
SUS304+PTFE(only ZSW60 optional)				T	
SUS316L+PTFE(only ZSW60 optional)				F	
SUS304+PEEK				K	
SUS316L+PEEK				E	
Special Custom				S	
Measuring Stick Length (Unit: mm)					
30mm(please refer to the technical parameter table for measuring range)				0	0
					3
					0

Note: "-" in the selection is not included in the code
 Transistor output type please mark NPN or PNP after model number
 Example: ZSW60G10T0030(Small Intelligent Capacitive Level Switch, relay output, G1/2", SUS304+PTFE, measuring stick length 30mm without teeth)

Shanghai Ziasiot Technology Co., Ltd.

Add: 6th Floor, 18th Building, No.615, Lianying Road, Chedun Town, Songjiang District, Shanghai
 Tel: 021-37635502
 Fax: 021-37635507
 Web (Ch): <http://www.ziasiot.net/>
 Web (En): www.ziasiot.com



Product Summarize

ZSW Small Intelligent Capacitive Level Switch structure is simple, no mechanical transmission structure, so it will not cause mechanical wear, long service life, easy to install, easy to debug.

ZSW Small Intelligent Capacitive Level Switch has a new circuit design, upgrade the analog circuit to the intelligent digital circuit, high precision, good stability, improve the user's range of use, easy to deal with the measurement of different materials.

ZSW Small Intelligent Capacitive Level Switch is optimized in software function, meet the majority of solid/liquid measurement (including viscous materials), only one key calibration can set the appropriate alarm position: in addition, the operator can watch the measured value in real time and modify the matching alarm value, in addition, it can also modify the delay value, delay value, high and low level alarm switch. It can meet the requirements of non-application conditions.



Technical Feature

- Independent of material density, suitable for switching control of conductive/non-conductive liquid solid particles.
- Can be used in high pressure, vacuum, high temperature, low temperature, strong vibration and applied to strong corrosion liquid and other harsh environment.
- Compact size, simple structure, good dynamic performance, high sensitivity, strong resolution.
- No moving parts when working, reliable work.

Working Principle

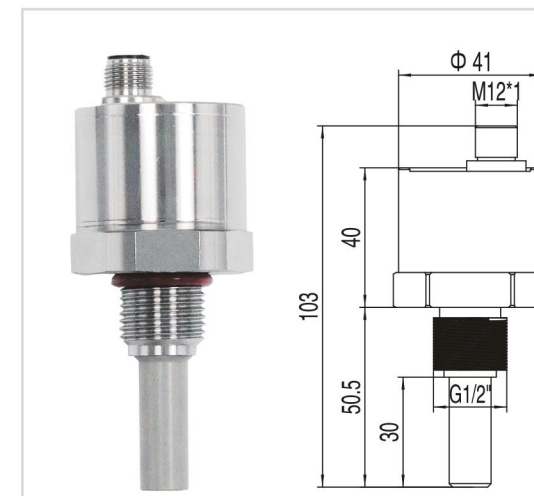
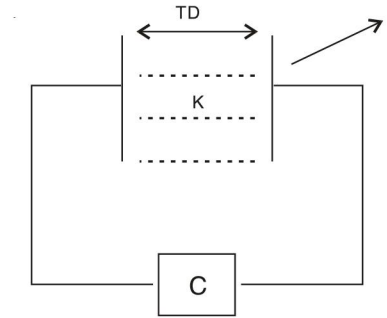
ZSW Small Intelligent Capacitive Level Switch according to the capacitance formed between the induction electrode and the ground electrode, to the measured material as the medium, when the material covers the induction electrode, the measured capacitance value will increase, reach the set value output switch signal.

$$C = (0.0884 \times K \cdot A) / TD$$

K = Dielectric Constant

A = Contact Area

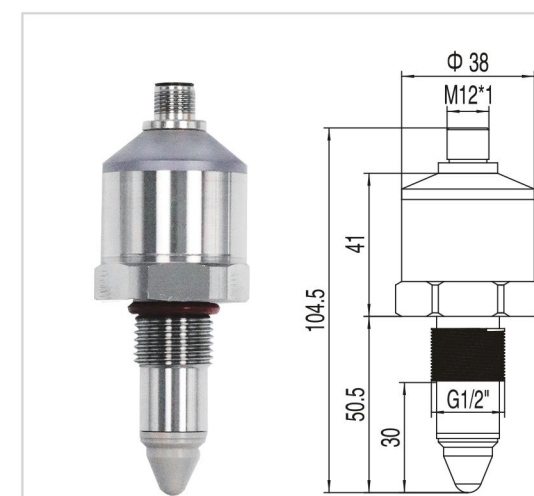
TD = Insulation Layer Thickness



Standard Keyset Type

Technical Parameter

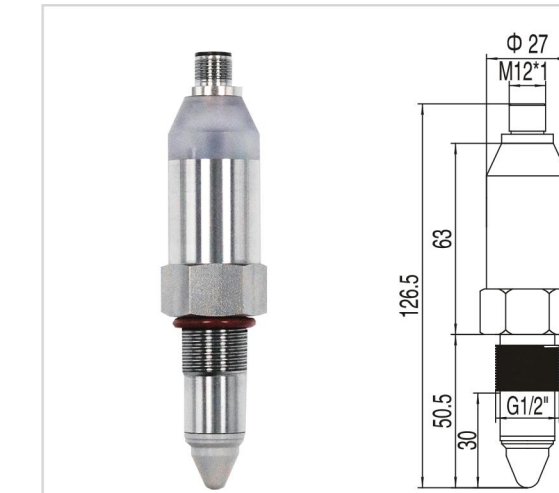
Specification	ZSW60
Working Power	18-30VDC
Signal Output	Relay 3A/250VAC SPDT
Liquid Connection Material	SUS304/SUS316L+PTFE/PEEK
Measuring Range	30mm without teeth (Customizable)
Working Pressure	-0.1MPa-0.6MPa
Working Temperature	-20~100C(High temperature can be customized)
Process Connection	Thread: G1/2\"(Customizable)
Electrical Connection	M12*1(Aviation Connector); Wiring 1m(Customizable)
Junction Box Material	SUS304/SUS316L
Protection Grade	IP65



Standard Magnetic Label Type

Technical Parameter

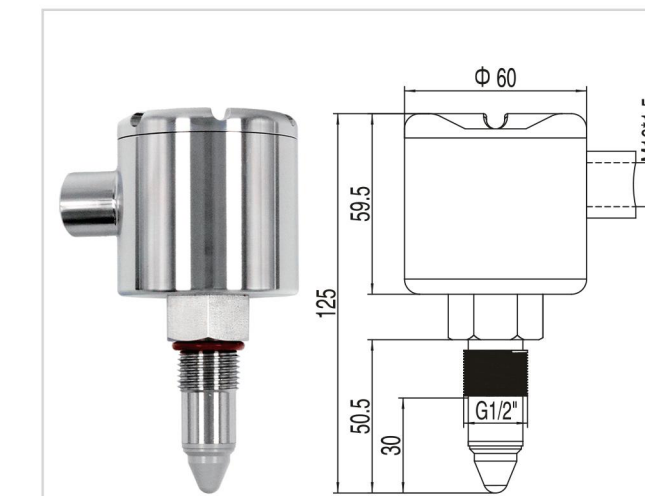
Specification	ZSW61
Working Power	18-30VDC
Signal Output	Relay 3A/250VAC SPDT
Liquid Connection Material	SUS304/SUS316L+PEEK
Measuring Range	30mm without teeth (Customizable)
Working Pressure	-0.1MPa~4MPa
Working Temperature	-20~100C(High temperature can be customized)
Process Connection	Thread: G1/2\"(Customizable)
Electrical Connection	M12*1(Aviation Connector); Wiring 1m(Customizable)
Junction Box Material	SUS304/SUS316L+PC
Protection Grade	IP65



Magnetic Label Transistor Output Type

Technical Parameter

Specification	ZSW62
Working Power	18-30VDC
Signal Output	NPN/PNP
Liquid Connection Material	SUS304/SUS316L+PEEK
Measuring Range	30mm without teeth (Customizable)
Working Pressure	-0.1MPa~4MPa
Working Temperature	-20~100C(High temperature can be customized)
Process Connection	Thread: G1/2\"(Customizable)
Electrical Connection	M12*1(Aviation Connector); Wiring 1m(Customizable)
Junction Box Material	SUS304/SUS316L+PC
Protection Grade	IP65



Explosion-proof Standard Type

Technical Parameter

Specification	ZSW761	ZSW762
Working Power	18-30VDC	
Signal Output	Relay 3A/250VAC SPDT	NPN/PNP
Liquid Connection Material	SUS304/SUS316L+PEEK	
Measuring Range	30mm without teeth (Customizable)	
Working Pressure	-0.1MPa~4MPa	
Working Temperature	-20~100C(High temperature can be customized)	
Process Connection	Thread: G1/2\"(Customizable)	
Electrical Connection	M16*1.5(Customizable)	
Junction Box Material	SUS304/SUS316L	
Protection Grade	IP65	
Explosion-proof	Exd II CT6	



Perfect Solution Partner in Sensor IoT and Industrial Automation System.

Established Shanghai Haoying and Dynisco factories in China.

High-tech enterprise with complete solutions for sensors, internet of things and industrial automation.